



FEEDING TECHNOLOGY *specialized in calves*

# Spare part list

## Urban Alma Pro

Model series B (until 05/2018)  
Serial number: B01 xxx-xx

Version 1.4 Revision 0  
26th September 2018



Art. No.: 100.283\_EN



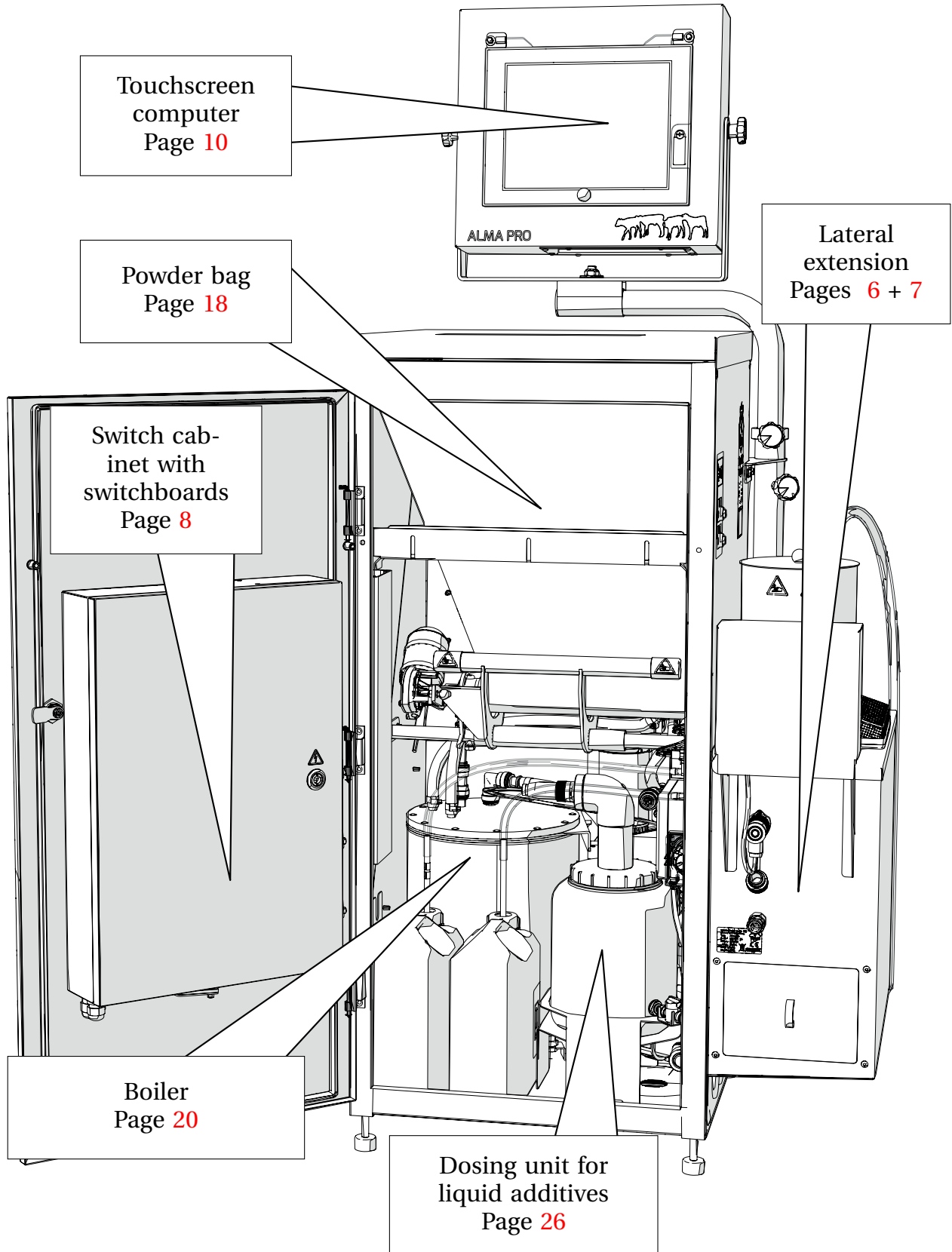
# Contents

<b>1</b>	<b>Illustration of assemblies</b>	<b>5</b>
1.1	Feeder assemblies	5
1.2	Pumps and valves (basic configuration)	6
1.3	Pumps and valves (accessories)	7
<b>2</b>	<b>Electronic control and operation units</b>	<b>8</b>
2.1	Switch cabinet with switchboards	8
2.2	Touchscreen computer with housing	10
<b>3</b>	<b>Milk feeding station</b>	<b>12</b>
3.1	Electronic control of feeding station	12
3.2	Valve units	14
3.2.1	Valve unit: group feeding	14
3.2.2	Valve unit: parallel feeding	16
<b>4</b>	<b>Powder bag and accessories</b>	<b>18</b>
<b>5</b>	<b>Boiler / Heat exchanger</b>	<b>20</b>
5.1	Main boiler	20
5.2	Additional Boiler (3 kW), no retrofitting	22
<b>6</b>	<b>Dosing unit for additives</b>	<b>24</b>
6.1	Dosing unit for powder additives	24
6.2	Dosing unit for liquid additives	26
6.2.1	Hose pump for liquid additives	26
6.2.2	Container for liquid additives (5 liters)	26
6.2.3	Container for liquid additives (1 liter)	27
6.2.4	Retrofit kit <i>Dosing unit for liquid additives (1 liter) (236.243)</i>	28
6.2.5	Retrofit kit <i>Dosing unit for liquid additives (5 liters) (236.244)</i>	30
<b>7</b>	<b>Pumps and accessories</b>	<b>32</b>
7.1	Mixing bowl + Pump mixer unit (PuMi)	32
7.2	Auxiliary pump (Circulating pump)	34
7.3	Whole milk feeding	36
7.3.1	Whole milk pump (+ Whole milk valve)	36
7.3.2	Whole milk lances	37
7.4	Hose pump for liquid additives	38
7.5	Hose pump for detergents	40
<b>8</b>	<b>Valves</b>	<b>41</b>
8.1	Whole milk valve	41
8.2	Drain valve	41
8.3	Water valve	42

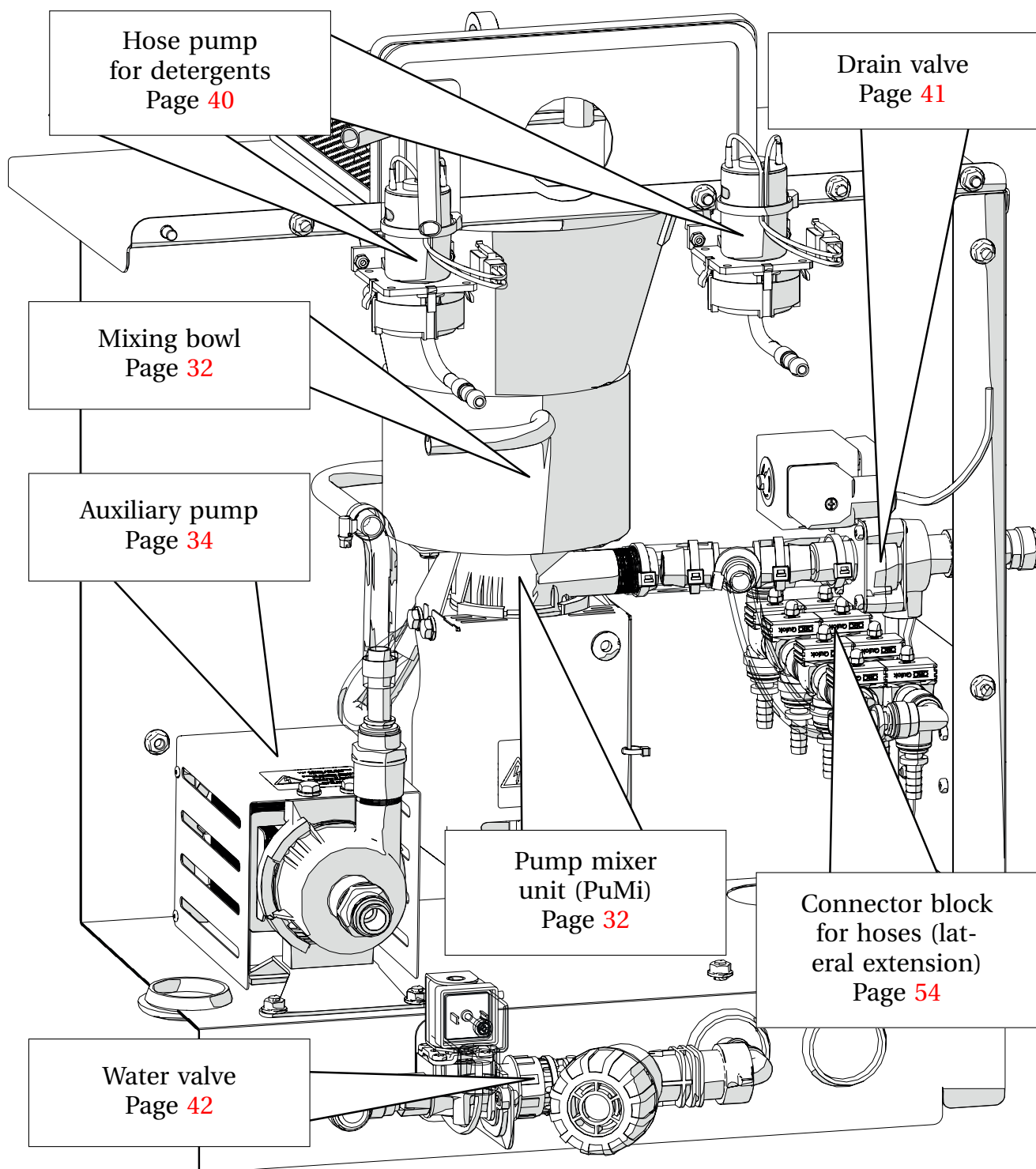
<b>9 Collar</b>	<b>44</b>
<b>10 Detergents / Containers</b>	<b>46</b>
10.1 Acidic Detergents . . . . .	46
10.2 Alkaline Detergents . . . . .	46
10.3 Spare containers (without detergent) . . . . .	47
<b>11 Retrofit kits</b>	<b>48</b>
11.1 Retrofit kit auxiliary pump (article number: 236.241) . . . . .	48
11.2 Retrofit kit parallel feeding (article number: 236.401) . . . . .	49
11.3 Retrofit kit whole milk (article number: 236.240) . . . . .	50
11.4 Retrofit kit <i>Dosing unit for powder additives</i> (236.242) . . . . .	51
11.5 Retrofit kits <i>Dosing unit for liquid additives</i> (236.243 / 236.244) . . . . .	51
11.6 Retrofit kit Alma Pro Duo (2 <sup>nd</sup> powder sort, article number: 236.246) . . . . .	52
<b>12 Maintenance parts</b>	<b>54</b>
12.1 Connector block for hoses (lateral extension) . . . . .	54
12.2 Hoses / Hose Kits . . . . .	56
12.2.1 Silicone hoses (sold by the meter) . . . . .	56
12.2.2 Suction hoses . . . . .	57
12.2.3 Miscellaneous hoses . . . . .	58
<b>13 Connectivity, remote control</b>	<b>59</b>
13.1 GSM module . . . . .	59
13.2 WLAN router . . . . .	59
<b>Index: Article description</b>	<b>60</b>
<b>Index: Article numbers</b>	<b>62</b>

# 1 Illustration of assemblies

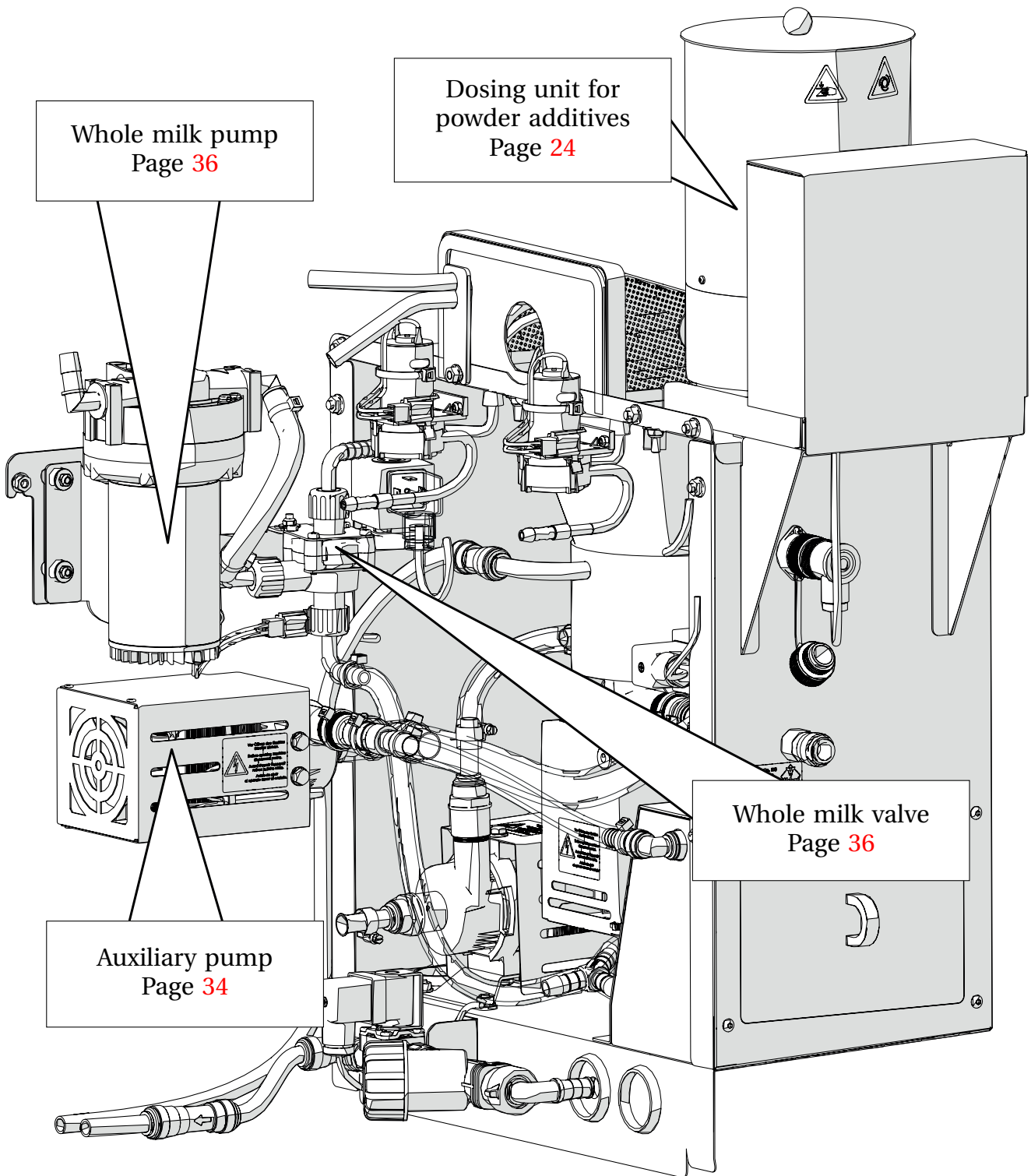
## 1.1 Feeder assemblies



## 1.2 Pumps and valves (basic configuration)



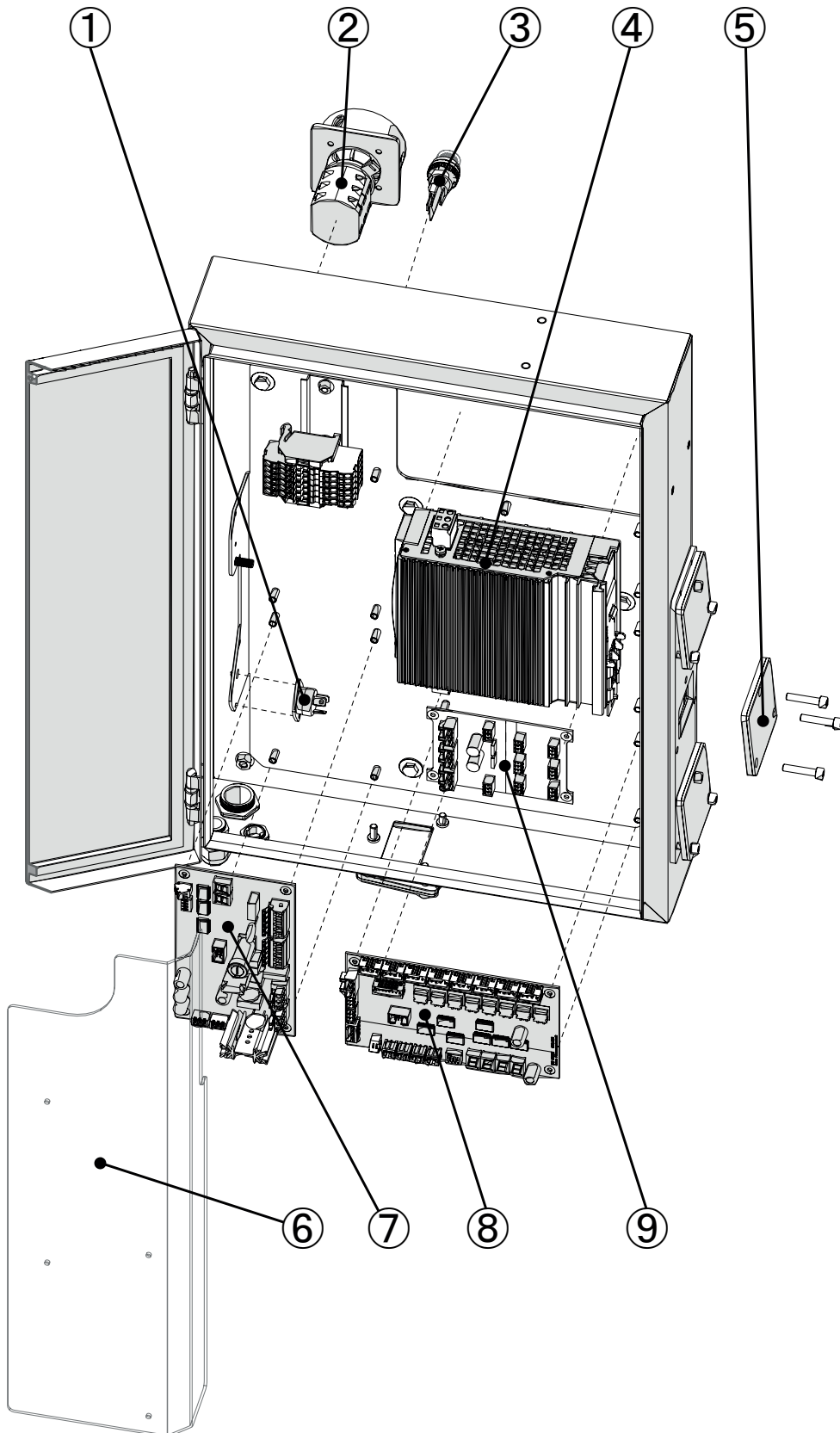
### 1.3 Pumps and valves (accessories)



## 2 Electronic control and operation units

### 2.1 Switch cabinet with switchboards

#### 2.1.1 Exploded view



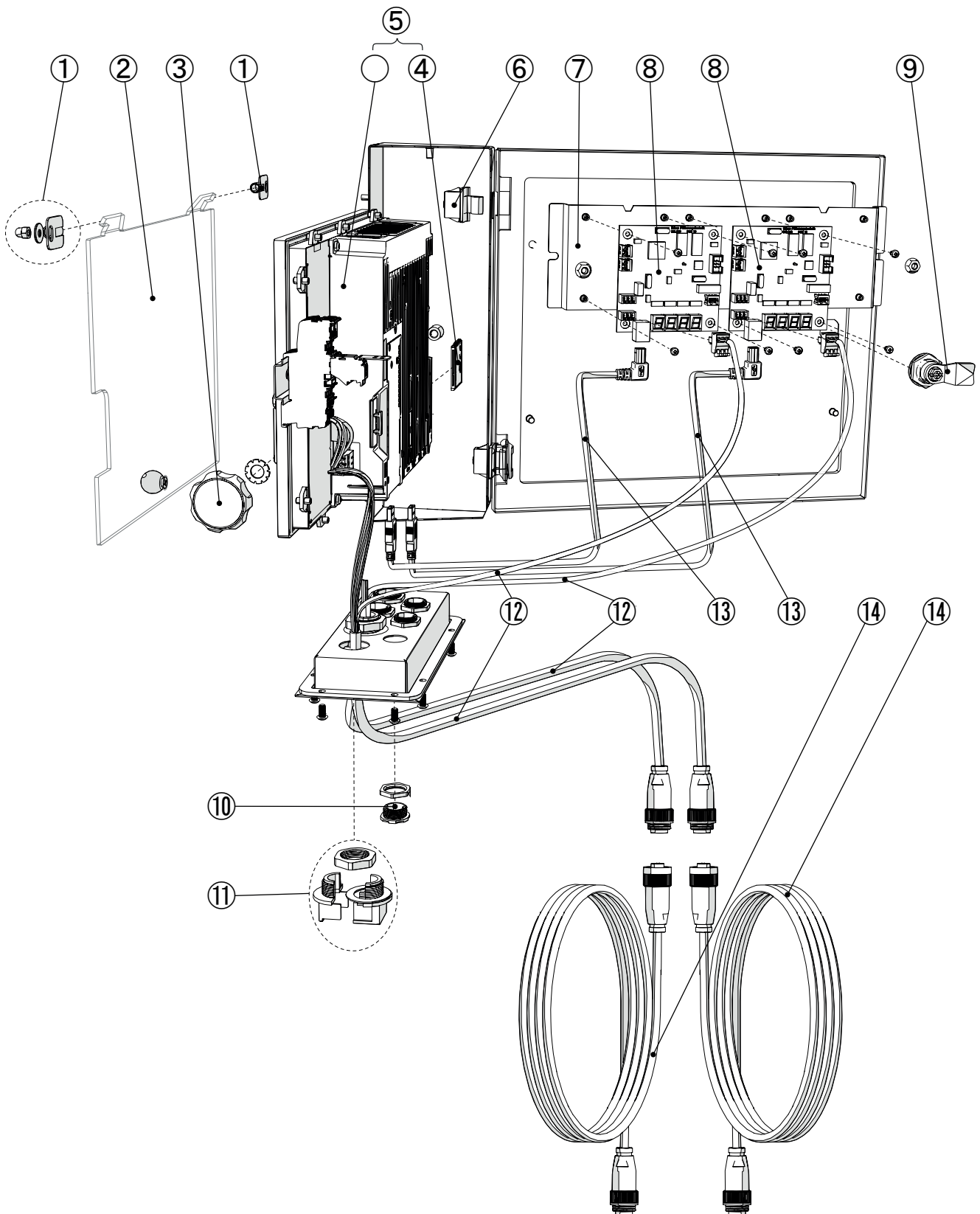


**2.1.2 List of spare parts**

Pos.	Article no.	Description	Unit	Rebate
①	953.001	U20/U30/U40/M/S -Triac - BTA 25	1 piece	1
②	951.067	Main switch (door) 230 V	1 piece	2
	951.058	LS - main switch door 400 V	1 piece	2
③	951.015	Lamp holder BA9S for LED bulb	1 piece	1
④	951.190	Power supply 230/24 V 5 A	1 piece	2
⑤	201.122	Cable feed through bushing (switch cabinet touchscreen)	1 piece	2
⑥	401.711	Transparent enclosure (electronics, switch cabinet touchscreen)	1 piece	2
⑦	953.206	LS/SII - Circuit board AC230L31 - 230 V control	1 piece	1
⑧	953.216	AP/LS - DC-Board 24 V	1 piece	1
⑨	953.232	LS - Data BUS distribution Board	1 piece	1

## 2.2 Touchscreen computer with housing

### 2.2.1 Exploded view



**2.2.2 List of spare parts**

Pos.	Article no.	Description	Unit	Rebate
①	101.682	Mount for transparent cover (touchscreen)	1 piece	3
②	202.391	Transparent cover for touchscreen	1 piece	3
③	998.252	Star knob screw M8 × 23 mm	1 piece	3
④	501.343	Compact flash card C-Fast 128GB with feeder firmware touchscreen	1 piece	1
⑤	230.510	PC with touchscreen terminal + compact flash card with firmware	1 piece	4
⑥	998.811	Hinge for touchscreen terminal	1 piece	3
⑦	101.641	Mounting plate for printed circuit board CON10	1 piece	3
⑧	953.211	Printed circuit board CON10, with firmware group/parallel feeding	1 piece	1
⑨	998.931	U20/U30/U40 Door lock complete	1 piece	1
⑩	950.156	Locking bolt ISO PG13,5	1 piece	3
⑪	950.610	KVT cable gland, straight	1 piece	3

**2.2.3 Connecting cables (yellow)**

Pos.	Article no.	Description	Unit	Rebate
⑫	956.640	Connecting cable CON10 board, 2.5 m (8.2 ft)	1 piece	2
⑬	956.548	USB cable, length 1 m, straight A male to right angle B male	1 piece	2
⑭	956.641	Cable feeder - touchscreen 5 m (16.4 ft)	1 piece	2
⑭	956.642	Cable feeder - touchscreen 15 m (49.2 ft)	1 piece	2
⑭	956.643	Cable feeder - touchscreen 25 m (82 ft)	1 piece	2
⑭	956.644	Cable feeder - touchscreen 50 m (164 ft)	1 piece	2
⑭	956.645	Cable feeder - touchscreen 75 m (246 ft)	1 piece	2
⑭	956.646	Cable feeder - touchscreen 100 m (328 ft)	1 piece	2

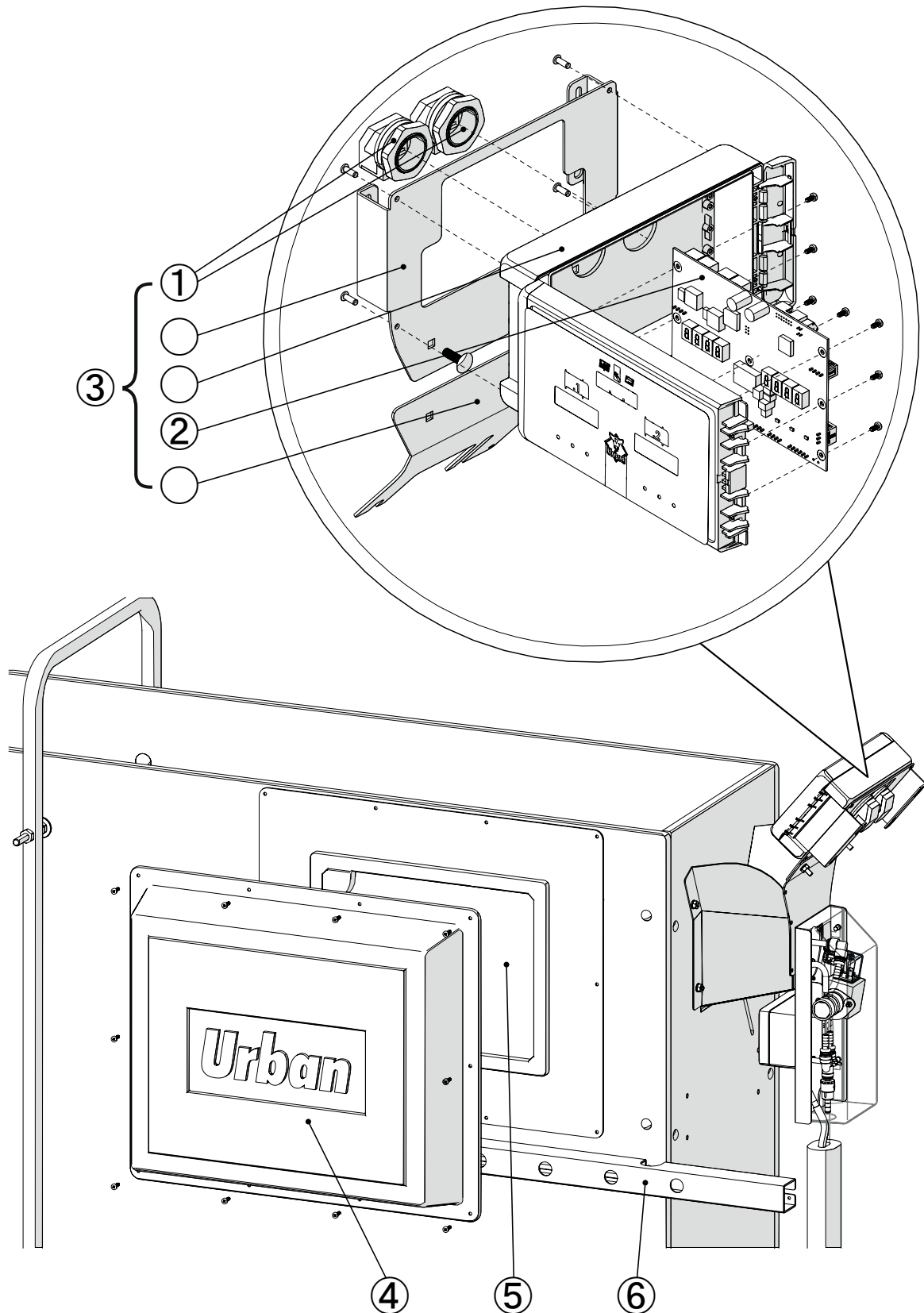
**2.2.4 Grounding cables (yellow/green)**

Article no.	Description	Unit	Rebate
956.647	AP: Grounding cable, length: 87 cm	1 piece	2
956.648	AP: Grounding cable, length: 55 cm	1 piece	2

## 3 Milk feeding station

### 3.1 Electronic control of feeding station

#### 3.1.1 Exploded view



**3.1.2 List of spare parts****Electronic control of feeding station**

Pos.	Article no.	Description	Unit	Rebate
①	950.611	Split cable glands 90°, gray	1 piece	2
②	234.222	Switchboard for control of animal identification (ISO 11784/85, HDX + FDX)	1 piece	1
③	236.247	AP - Station electronics 11 m (36 ft) spare part / retrofit	1 piece	4
④	109.101	Alma/Paula/LS Cover RFID Antenna	1 piece	2
⑤	201.181	ID-Plate (antenna) ISO for side plate 3.0 m	1 piece	2
⑥	915.251	LS/Alma/Paula cable protection feed station	1 piece	2

**Connecting cables (yellow)**

Article no.	Description	Unit	Rebate
956.610	Connecting cable from feeder to switchboard at station, 6 m (19.6 ft), yellow	1 piece	2
956.611	Connecting cable from feeder to switchboard at station, 8 m (26.2 ft), yellow	1 piece	2
956.612	Connecting cable from feeder to switchboard at station, 11 m (36 ft), yellow	1 piece	2

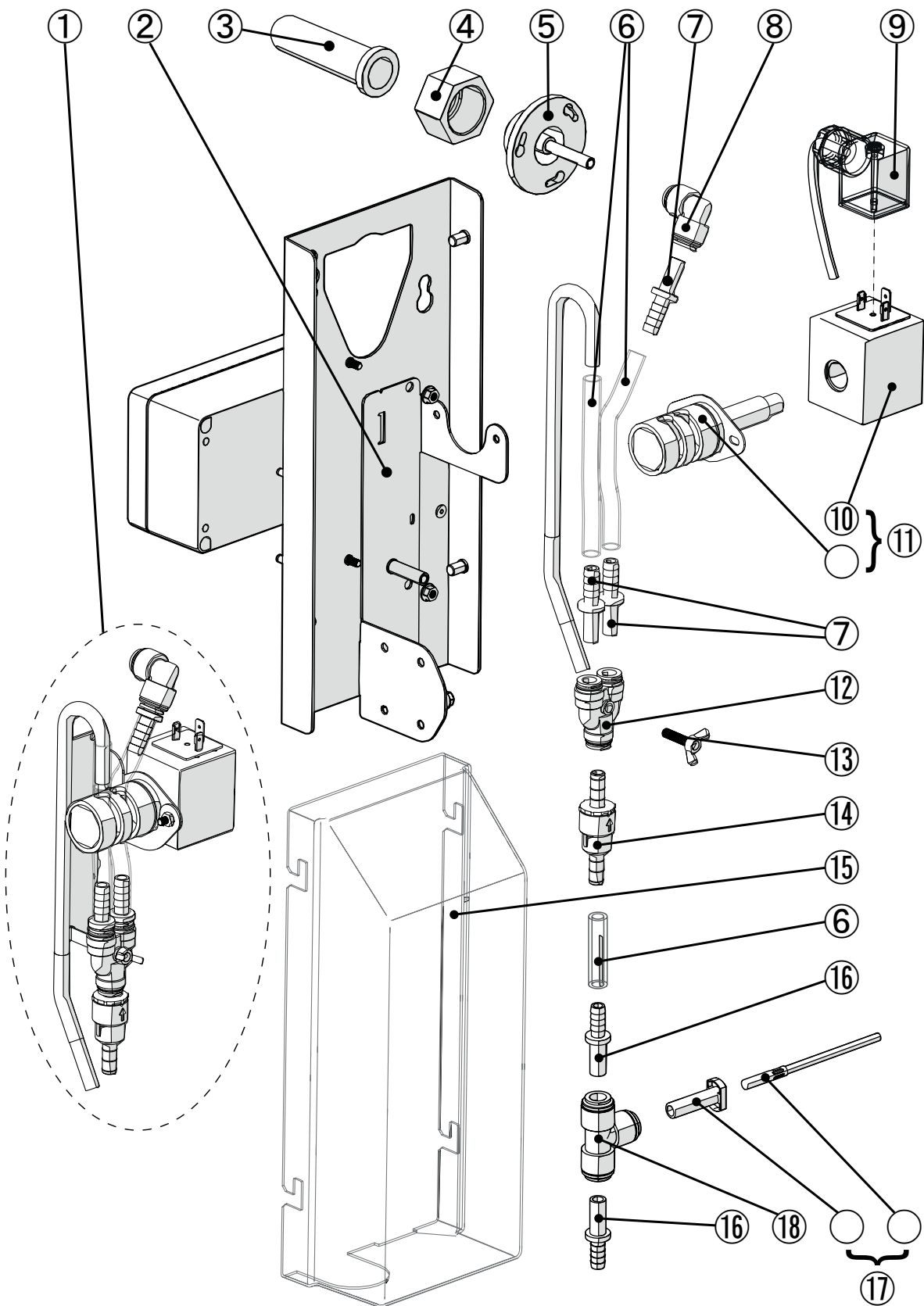
**Connecting cable (red)**

Article no.	Description	Unit	Rebate
956.650	Connecting cable, red, 3.5 m, milk feed station, from switchboard to valve unit	1 piece	2

## 3.2 Valve units

### 3.2.1 Valve unit: group feeding

Exploded view

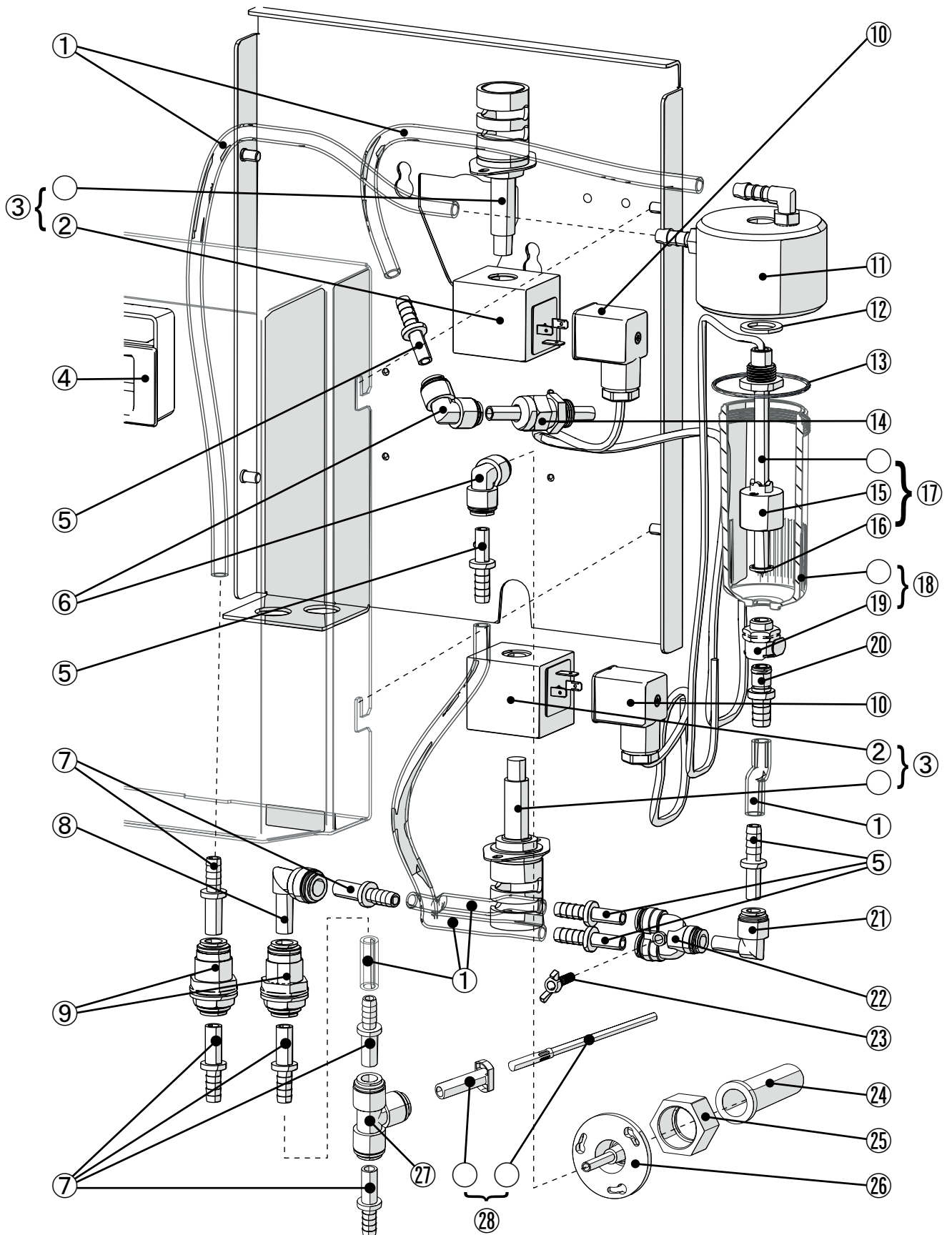


**List of spare parts**

Pos.	Article no.	Description	Unit	Rebate
①	201.093	Hose squeezing valve with holder/non return valve	1 piece	2
②	101.734	Retaining plate valve unit and FIT-sensor, station	1 piece	2
③	989.033	Teat with cross slot	1 piece	1
④	989.046	Union nut for fixation of teat	1 piece	1
⑤	989.052	Holder plate with pipe 41 mm for feeding station	1 piece	1
⑥	982.150	Silicone hose for hose clamp valve 6.5 × 1.5 mm	1 m	1
⑦	981.417	Tube to hose stem 8 mm grey	1 piece	1
⑧	981.418	Angle connector 8 mm black	1 piece	1
⑨	956.232	Connecting cable milk valve at feeding station (Model: F)	1 piece	1
⑩	981.445	Coil 24 V DC drain valve/hose clamping valve	1 piece	2
⑪	981.401	Hose clamping valve, 3/2-way	1 piece	2
⑫	981.422	Y connector 8 mm black	1 piece	1
⑬	999.300	Wing screw M5 × 20 (Alma Station)	1 piece	2
⑭	989.041	Check valve yellow	1 piece	1
⑮	982.307	Cover valve unit, station	1 piece	2
⑯	981.481	Hose stem 3/8" × 5/16"	1 piece	1
⑰	202.389	Temperature sensor, 3 m, with sealing plug	1 piece	2
⑱	981.483	T connector 3/8"	1 piece	1

### 3.2.2 Valve unit: parallel feeding

Exploded view



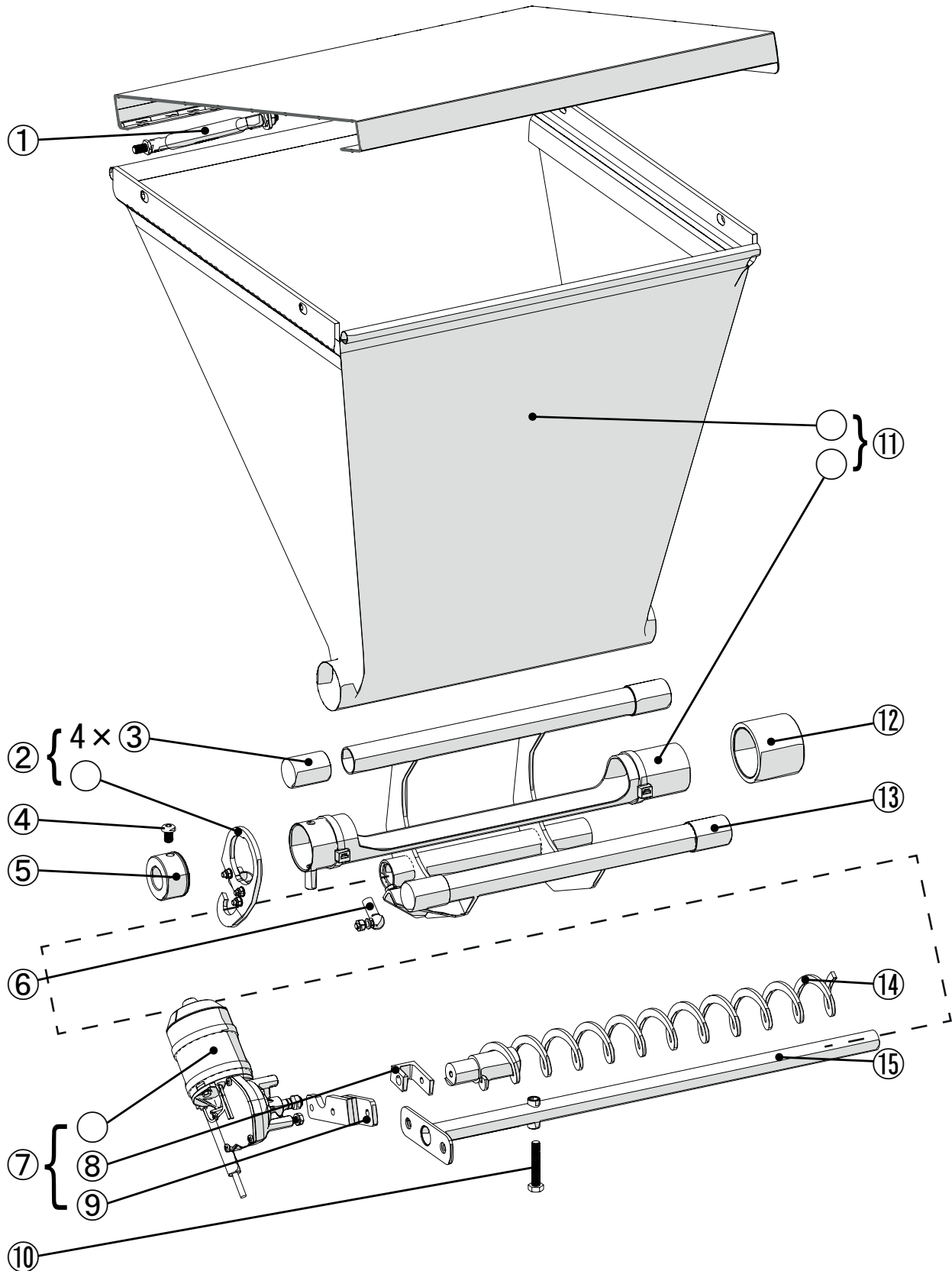


**List of spare parts**

Pos.	Article no.	Description	Unit	Rebate
①	982.150	Silicone hose for hose clamp valve 6.5 × 1.5 mm	1 m	1
②	981.445	Coil 24 V DC drain valve/hose clamping valve	1 piece	2
③	981.401	Hose clamping valve, 3/2-way	1 piece	2
④	201.449	Cover for parallel feeding station, model 2010	1 piece	2
⑤	981.417	Tube to hose stem 8 mm grey	1 piece	1
⑥	981.418	Angle connector 8 mm black	1 piece	1
⑦	981.481	Hose stem 3/8" × 5/16"	1 piece	1
⑧	981.500	Pipe plug nipple 3/8" × 3/8"	1 piece	1
⑨	981.502	Schott connector 3/8"	1 piece	1
⑩	956.304	Alma parallel cable for valves/ feeding station	1 piece	2
⑪	201.343	U45 Holding device for QF dosing unit	1 piece	2
⑫	998.854	U45 Washer Float switch Station	1 piece	2
⑬	982.237	O-ring seal, dosing cup, 50 × 2 mm	1 piece	1
⑭	950.139	Screwed cable gland M16 Ipon	1 piece	2
⑮	951.167	U45 Float for float switch Station	1 piece	2
⑯	951.169	U45 Snap ring for float switch Station	1 piece	2
⑰	951.168	U45 Quick Feeder Float switch, complete	1 piece	2
⑱	201.130	U45 QF-Dosing cup with quick coupling drilled	1 piece	1
⑲	301.020	Quick-coupling 1/4" 6.4 mm drilled	1 piece	1
⑳	981.583	U45 Quick-Feeder angle with plug-nipple 9.6 mm	1 piece	1
㉑	981.503	Plug-in angle connector 8mm	1 piece	1
㉒	981.422	Y connector 8 mm black	1 piece	1
㉓	999.300	Wing screw M5 × 20 (Alma Station)	1 piece	2
㉔	989.034	Teat (with hole)	1 piece	1
㉕	989.046	Union nut for fixation of teat	1 piece	1
㉖	989.052	Holder plate with pipe 41 mm for feeding station	1 piece	1
㉗	981.483	T connector 3/8"	1 piece	1
㉘	202.389	Temperature sensor, 3 m, with sealing plug	1 piece	2

## 4 Powder bag and accessories

### 4.1 Exploded view



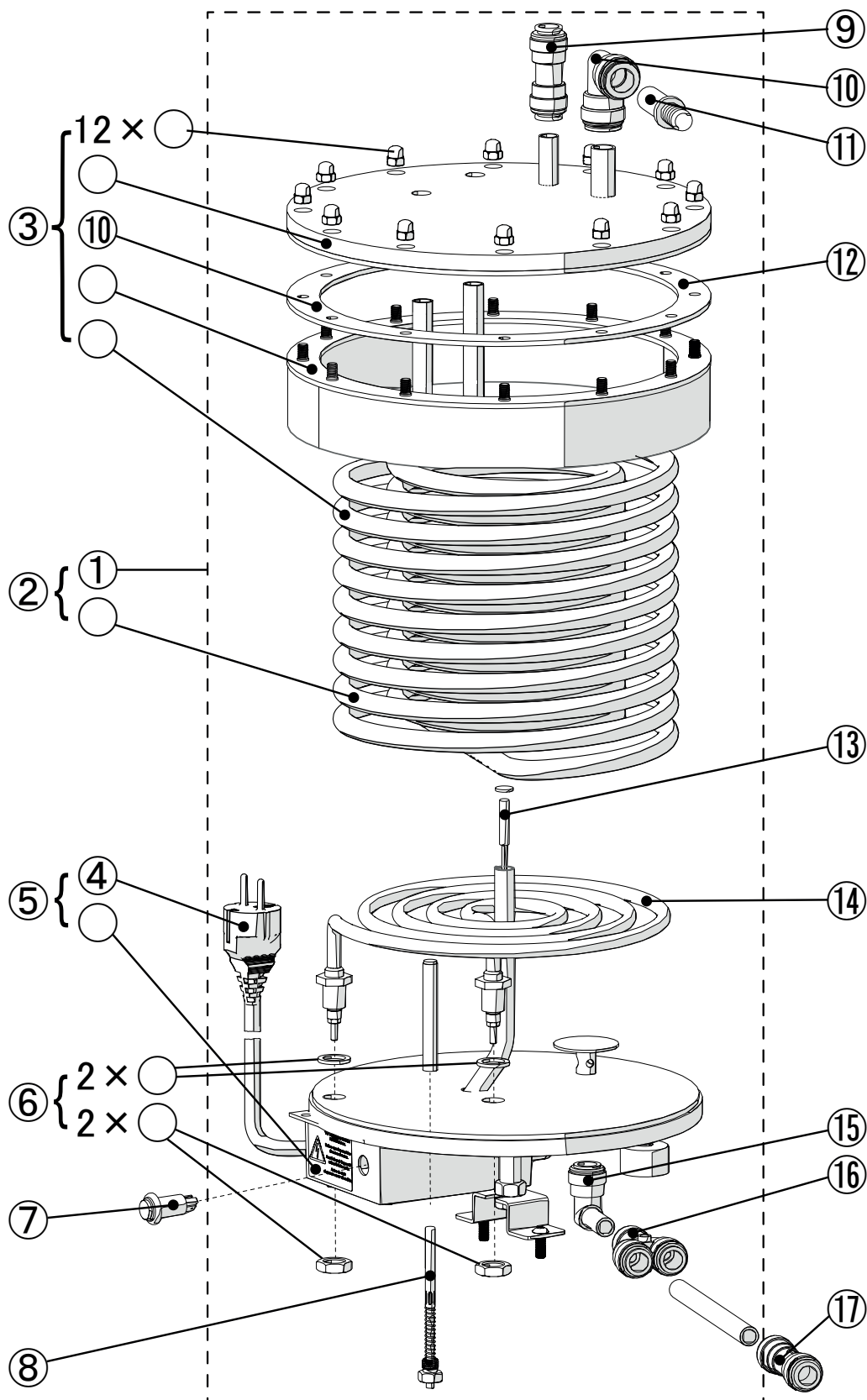
## 4.2 List of spare parts

Pos.	Article no.	Description	Unit	Rebate
①	998.914	U40 - cover gas spring 200 N 80 mm	1 piece	1
②	230.121	Conversion kit for conveying tube	1 piece	2
③	982.382	U20/U40 kinematics item end cap	1 piece	3
④	999.255	Hexagonal socket-head screw DIN 7380 - A2 - M8 × 12 mm	1 piece	3
⑤	201.421	POM bush bearing with o-ring	1 piece	2
⑥	998.000	Angle joint DIN71802 CS10M6	1 piece	2
⑦	956.147	U42 dosing motor 8 mm shaft	1 piece	2
⑧	301.014	U43/U30/U20 crank pin	1 piece	2
⑨	101.011	U43/U30/U20 drive connector (welded)	1 piece	1
⑩	999.214	Hexagon head screw DIN 931 - A4-80 -M8 × 45 mm	1 piece	1
⑪	202.510	Alma PRO powder bag with auger pipe	1 piece	2
⑫	201.012	U40 powder grommet C (continuous opening 50/50)	1 piece	2
⑬	201.572	Kinematic module from E series on	1 piece	2
⑭	101.006	U40 powder spiral conveyer	1 piece	2
⑮	101.012	Kinematic axle as of series E	1 piece	2

## 5 Boiler / Heat exchanger

### 5.1 Main boiler

#### 5.1.1 Exploded view



**5.1.2 Assembly group, complete**

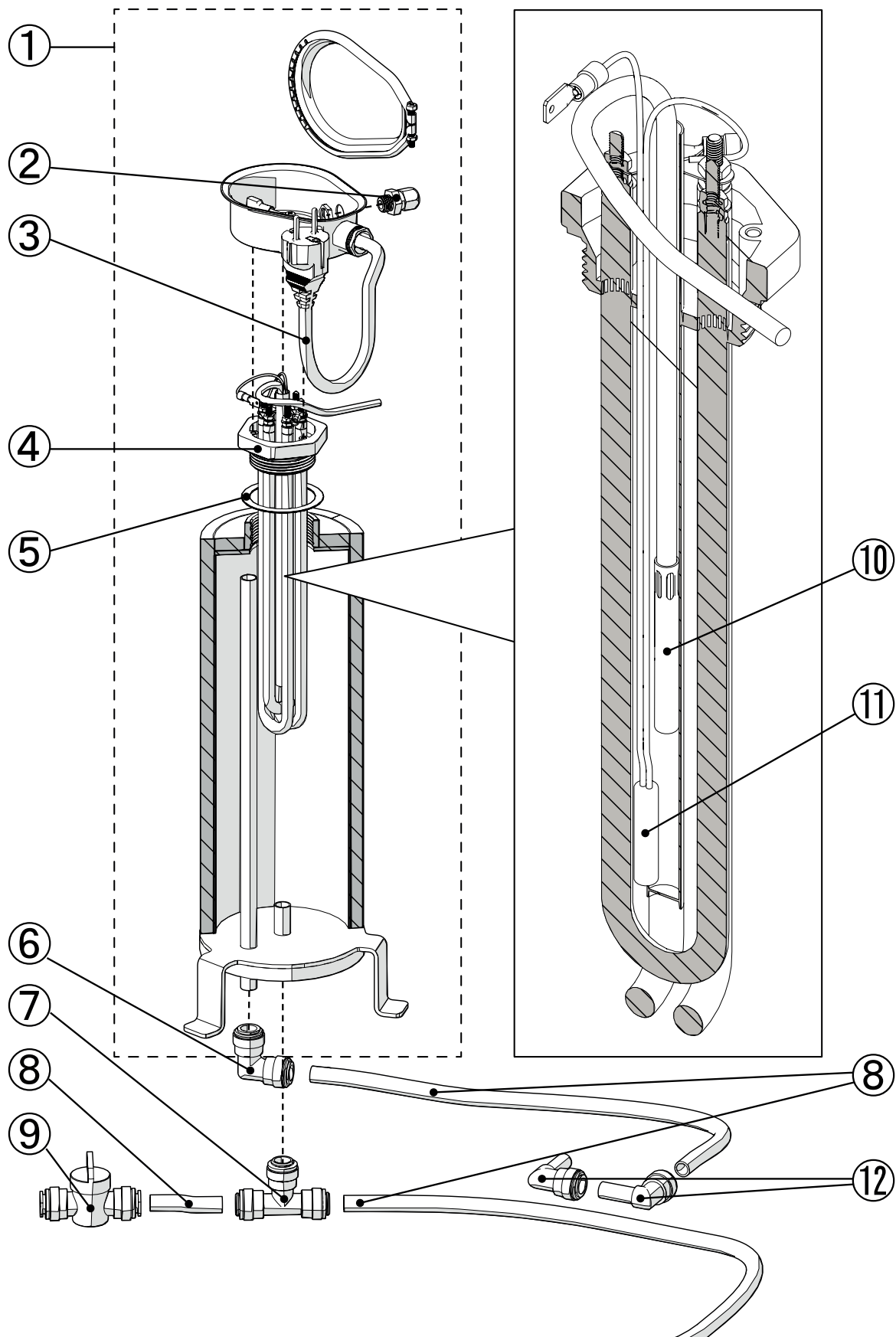
Pos.	Article no.	Description	Unit	Rebate
①	236.215	Hot water tank (stainless steal) re-fitting incl. sensor	1 piece	2
②	201.484	Whole milk heat exchanger, 2.5 kW	1 piece	2

**5.1.3 List of spare parts**

Pos.	Article no.	Description	Unit	Rebate
③	230.210	Repair kit heat exchanger whole milk, top part	1 piece	2
④	956.202	U20/U30/U43 - hot water connecting cable	1 piece	1
⑤	501.040	Connection housing for boiler, with connecting cable	1 piece	2
⑥	230.001	Set of 2 nuts and gaskets for the heater	1 piece	1
⑦	951.034	Glow Lamp whole milk heater (orange)	1 piece	2
⑧	953.192	Temperature sensor, 3 m, red brown, with spring and clamping screw (hollow)	1 piece	2
⑨	981.424	Straight connector 12 mm	1 piece	1
⑩	981.509	Elbow connector 15 mm	1 piece	1
⑪	981.448	NC932 Tube barb connector 15 mm to 1/2"	1 piece	1
⑫	998.856	Flange gasket for whole milk heat exchanger	1 piece	1
⑬	951.091	Thermal link whole milk heat exchanger U20/U30/U40	1 piece	1
⑭	981.515	Heating element whole milk heat exchanger 2500 W	1 piece	1
⑮	981.413	Plug-in angle connector 12 mm	1 piece	1
⑯	981.449	RM2312E Y connector 12 mm	1 piece	1
⑰	981.508	Non return valve 12 mm	1 piece	1

## 5.2 Additional Boiler (3 kW), no retrofitting

### 5.2.1 Exploded view



**5.2.2 Assembly group, complete**

Pos.	Article no.	Description	Unit	Rebate
①	230.170	Additional Boiler (3 kW), complete	1 piece	2

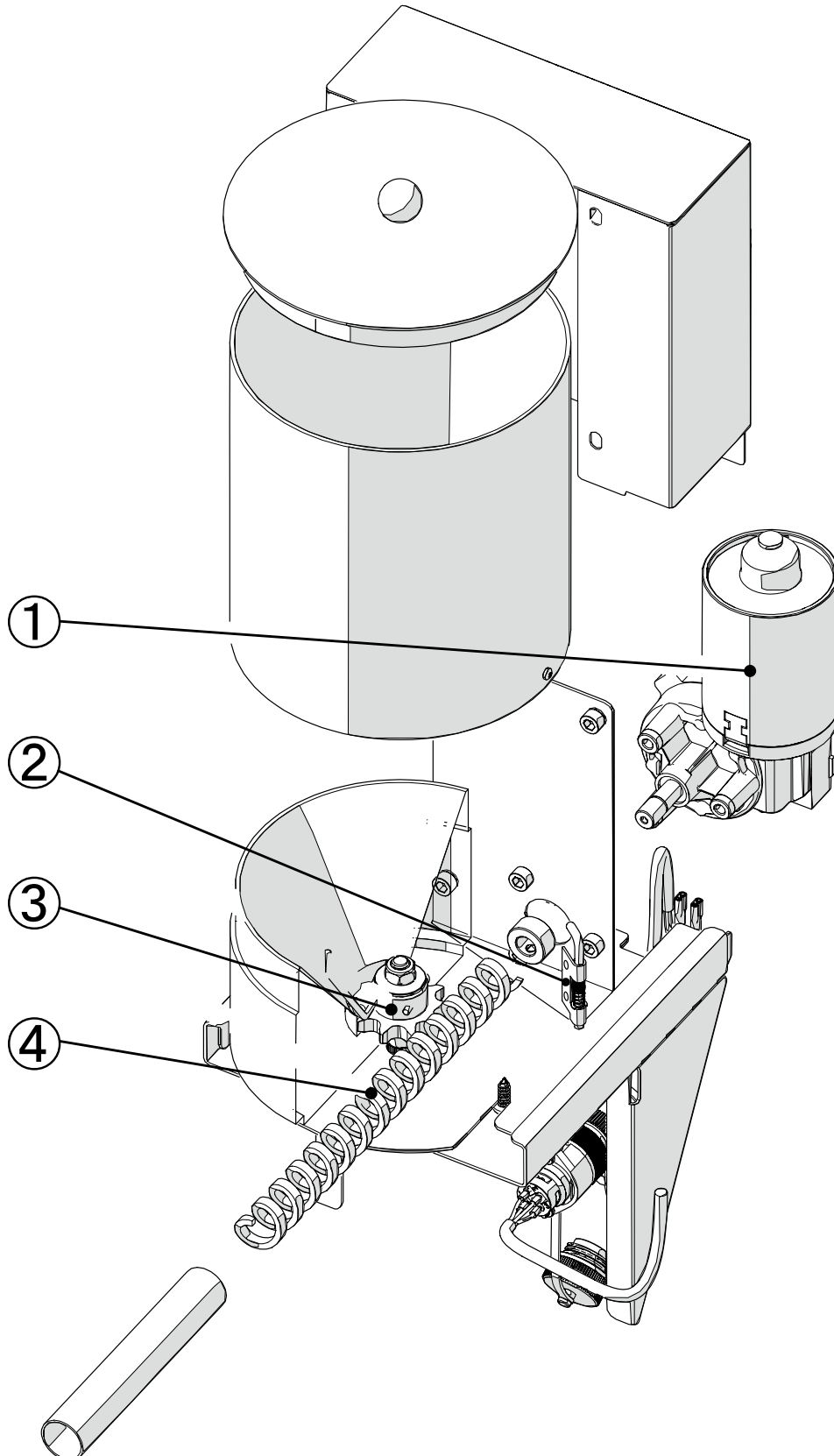
**5.2.3 List of spare parts**

Pos.	Article no.	Description	Unit	Rebate
②	950.138	Screwed cable gland M12 Ipon	1 piece	2
③	956.202	U20/U30/U43 - hot water connecting cable	1 piece	1
④	981.685	Screw-in heating element 1,5", 3 kW	1 piece	2
⑤	981.687	Gasket for screw-in heater 1,5"	1 piece	2
⑥	981.425	Angle connector 12 mm	1 piece	2
⑦	981.423	T connector 12 mm	1 piece	1
⑧	982.089	PE hose 12 mm for plug-in system	1 m	1
⑨	981.649	Drain tap 12 mm	1 piece	2
⑩	953.179	Temperature sensor, 2 m, blue, with spring and clamping screw (hollow)	1 piece	2
⑪	951.091	Thermal link whole milk heat exchanger U20/U30/U40	1 piece	1
⑫	981.413	Plug-in angle connector 12 mm	1 piece	1

## 6 Dosing unit for additives

### 6.1 Dosing unit for powder additives

#### 6.1.1 Exploded view



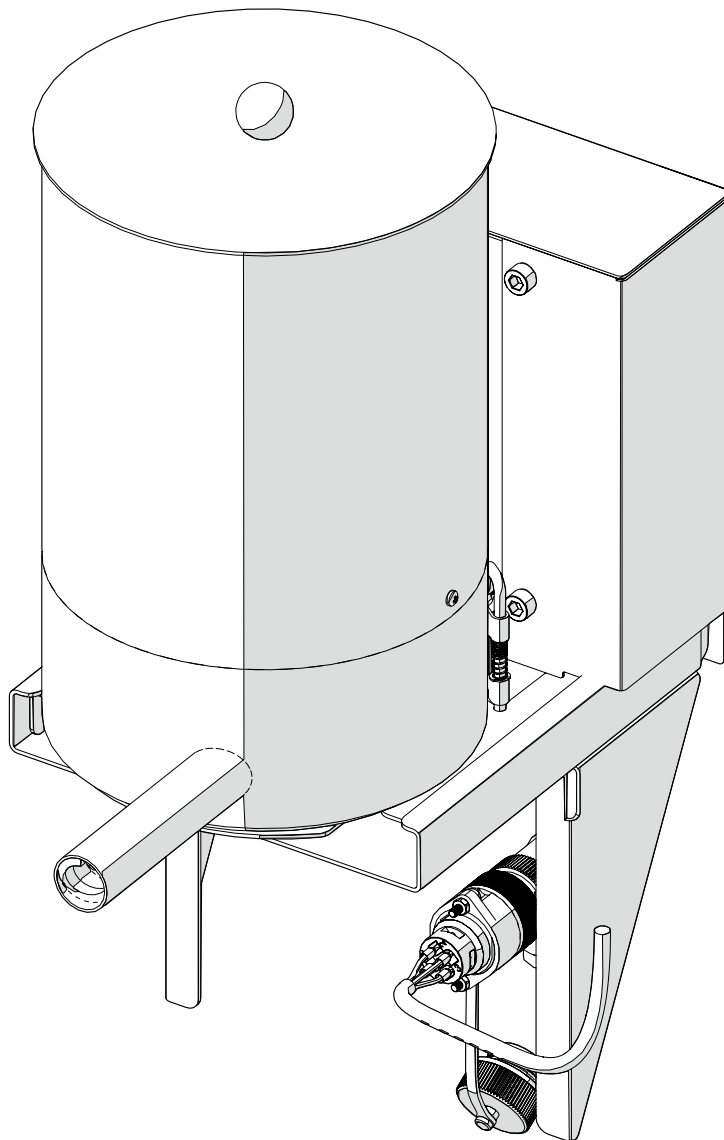


**6.1.2 List of spare parts**

Pos.	Article no.	Description	Unit	Rebate
①	951.110	Motor for additive dosing unit	1 piece	2
②	998.936	Pin hinge incl. spring	1 piece	1
③	201.346	Sprocket for powder dosing unit	1 piece	2
④	101.010	Dosing spiral additive dosing unit	1 piece	2

**6.1.3 Retrofit kit *Dosing unit for powder additives* (236.242)**

Article no.	Description	Unit	Rebate
236.242	AP - Retrofit kit powder additive dispenser	1 piece	4



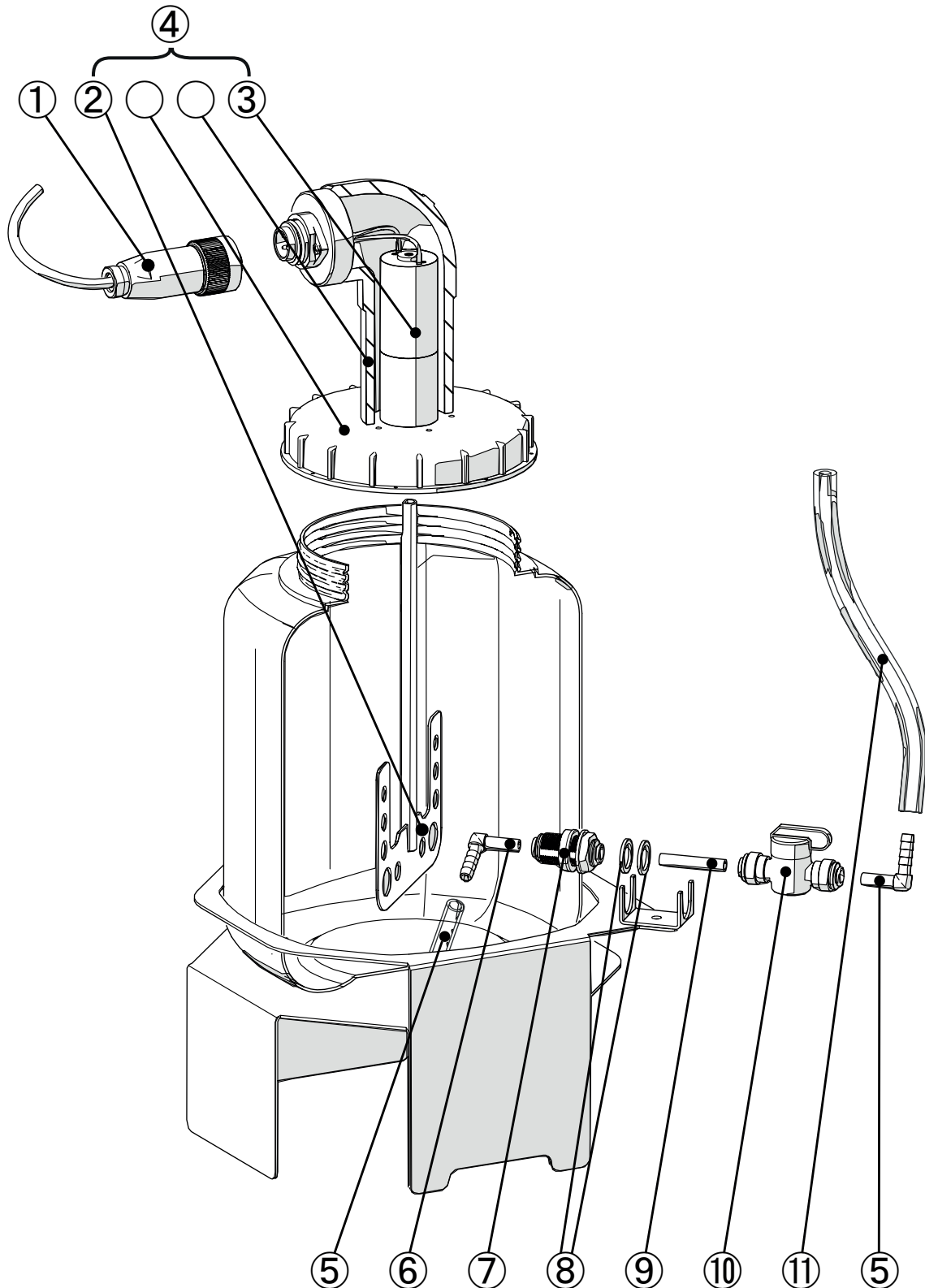
## 6.2 Dosing unit for liquid additives

### 6.2.1 Hose pump for liquid additives

See chapter [7.4 Hose pump for liquid additives](#), Page 38

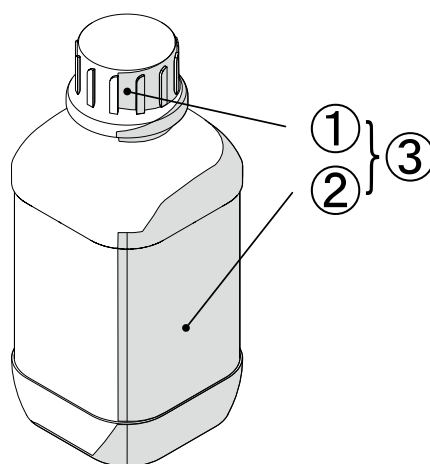
### 6.2.2 Container for liquid additives (5 liters)

Exploded view



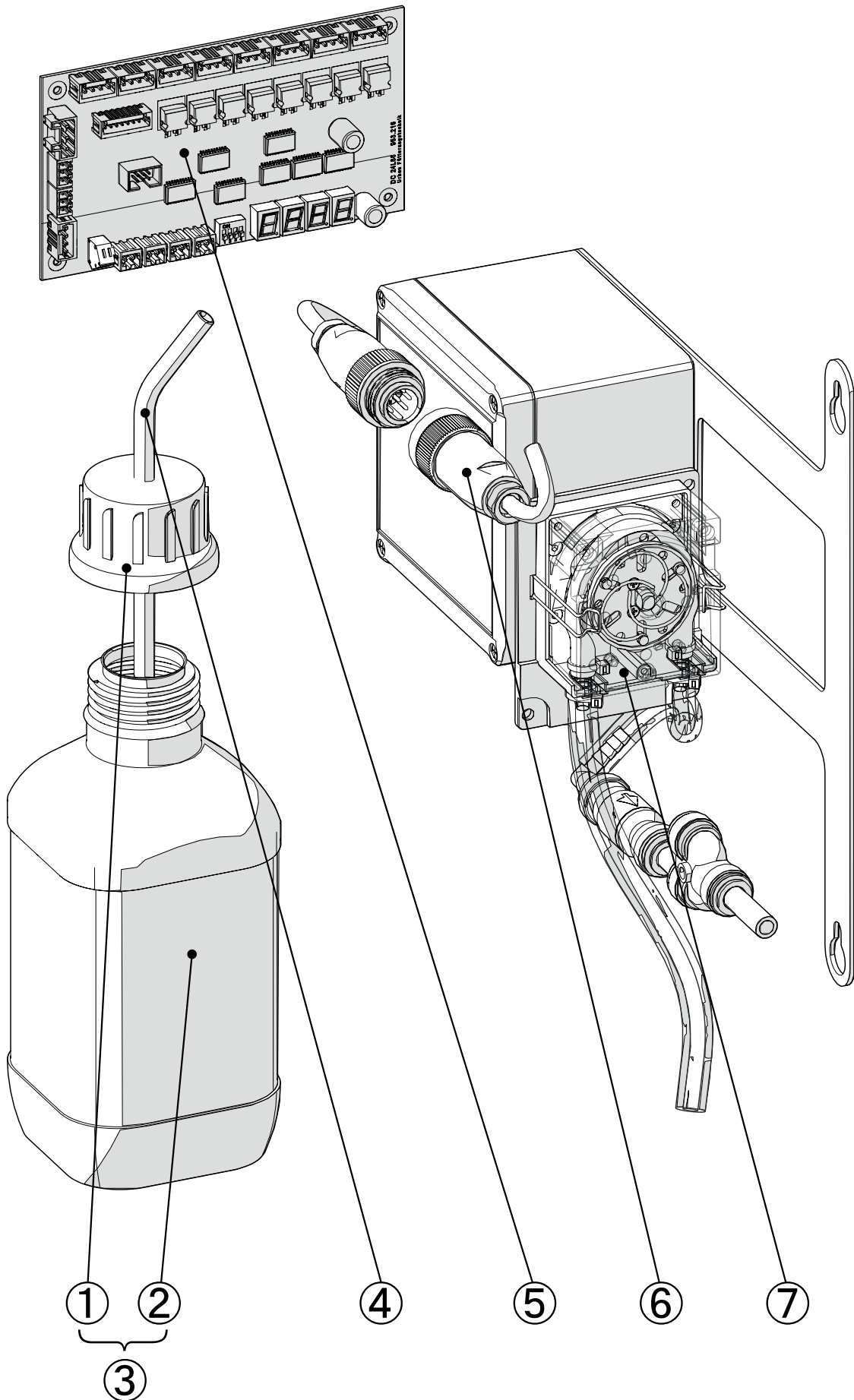
**List of spare parts**

Pos.	Article no.	Description	Unit	Rebate
①	956.628	Supply cables + connector for mixer of liquid dosing unit (24 V)	1 piece	2
②	201.230	Agitator blade, liquid dosing unit	1 piece	2
③	951.108	Agitator motor liquid dosing unit	1 piece	2
④	201.218	Agitator for liquid dosing unit complete	1 piece	2
⑤	982.150	Silicone hose for hose clamp valve 6.5 × 1.5 mm	1 m	1
⑥	981.452	Angle hose stem 1/4" × 1/4" for liquid dosing unit	1 piece	1
⑦	981.450	Bulkhead connector 1/4" for liquid dosing unit	1 piece	1
⑧	998.823	Seal ring of fiber - G 3/8"	1 piece	1
⑨	982.065	U42 - PE-piece of tube medication plug 6mm	1 m	2
⑩	981.453	Stop valve 1/4" × 1/4" for liquid dosing unit	1 piece	1
⑪	982.071	Silicone hose 6 × 3 mm transparent	1 m	1

**6.2.3 Container for liquid additives (1 liter)**

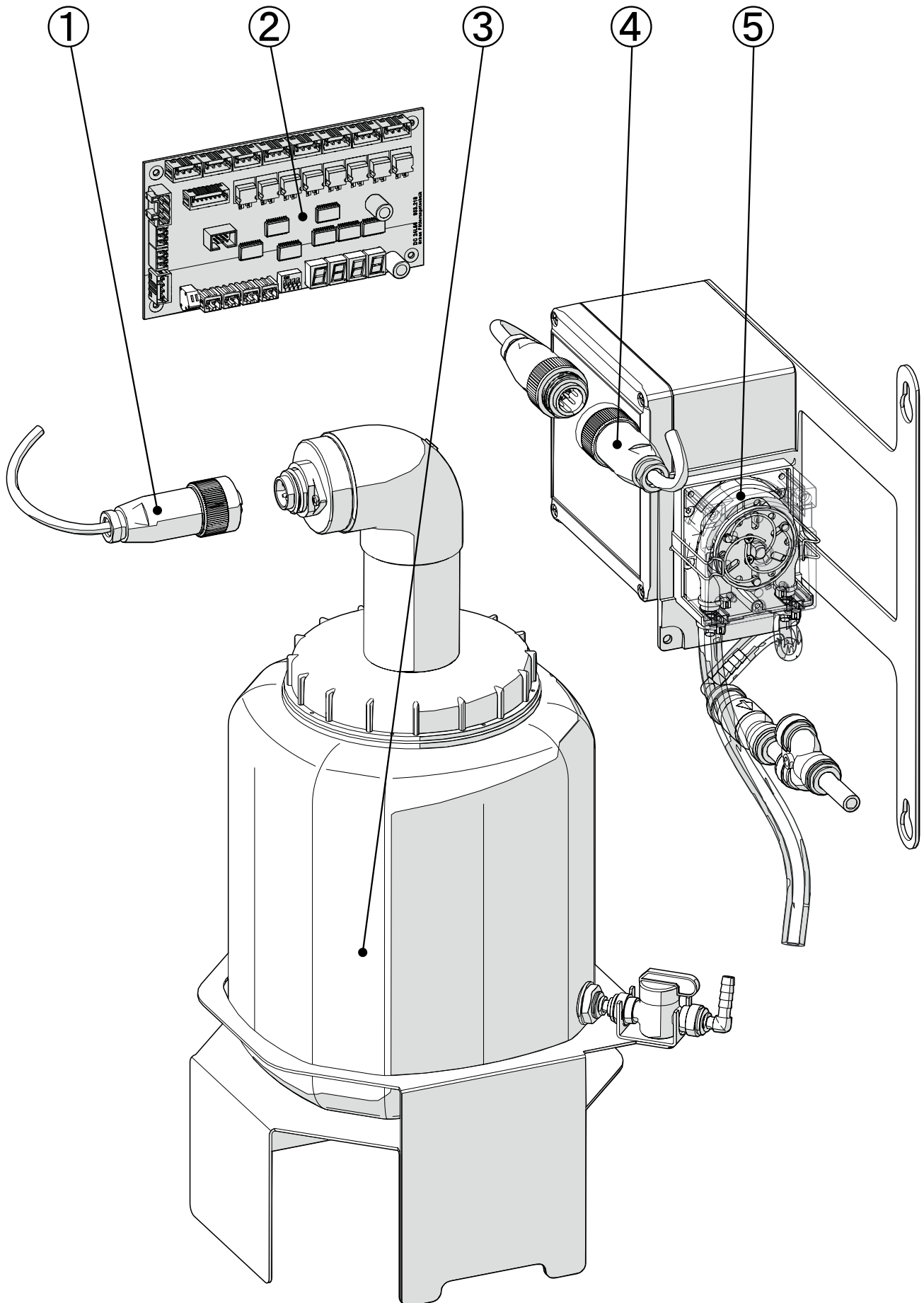
Pos.	Article no.	Description	Unit	Rebate
①	982.124	Screw cap for plastic bottle 982.123 (black)	1 piece	3
②	982.123	U20 - plastic bottle 1 l	1 piece	3
③	230.149	Plastic bottle (1 liter) + screw cap	1 piece	3

### 6.2.4 Retrofit kit *Dosing unit for liquid additives (1 liter)* (236.243)



Pos.	Article no.	Description	Unit	Rebate
<b>Retrofit kit (complete)</b>				
	236.243	AP - Retrofit kit liquid additives 1000ml (0.26 gal)	1 piece	4
<b>Selected parts of retrofit kit</b>				
①	982.124	Screw cap for plastic bottle 982.123 (black)	1 piece	3
②	982.123	U20 - plastic bottle 1 l	1 piece	3
③	230.149	Plastic bottle (1 liter) + screw cap	1 piece	3
④	982.020	U20/U30 - Detergent suction pipe	1 piece	1
⑤	953.216	AP/LS - DC-Board 24 V	1 piece	1
⑥	956.627	Supply cables for pump of liquid dosing unit (24 V)	1 piece	2
⑦	230.163	Hose pump for liquid additives (replacement, complete)	1 piece	2
	956.617	SII LS AP: Bus cable 20 cm	1 piece	2

### 6.2.5 Retrofit kit *Dosing unit for liquid additives (5 liters)* (236.244)

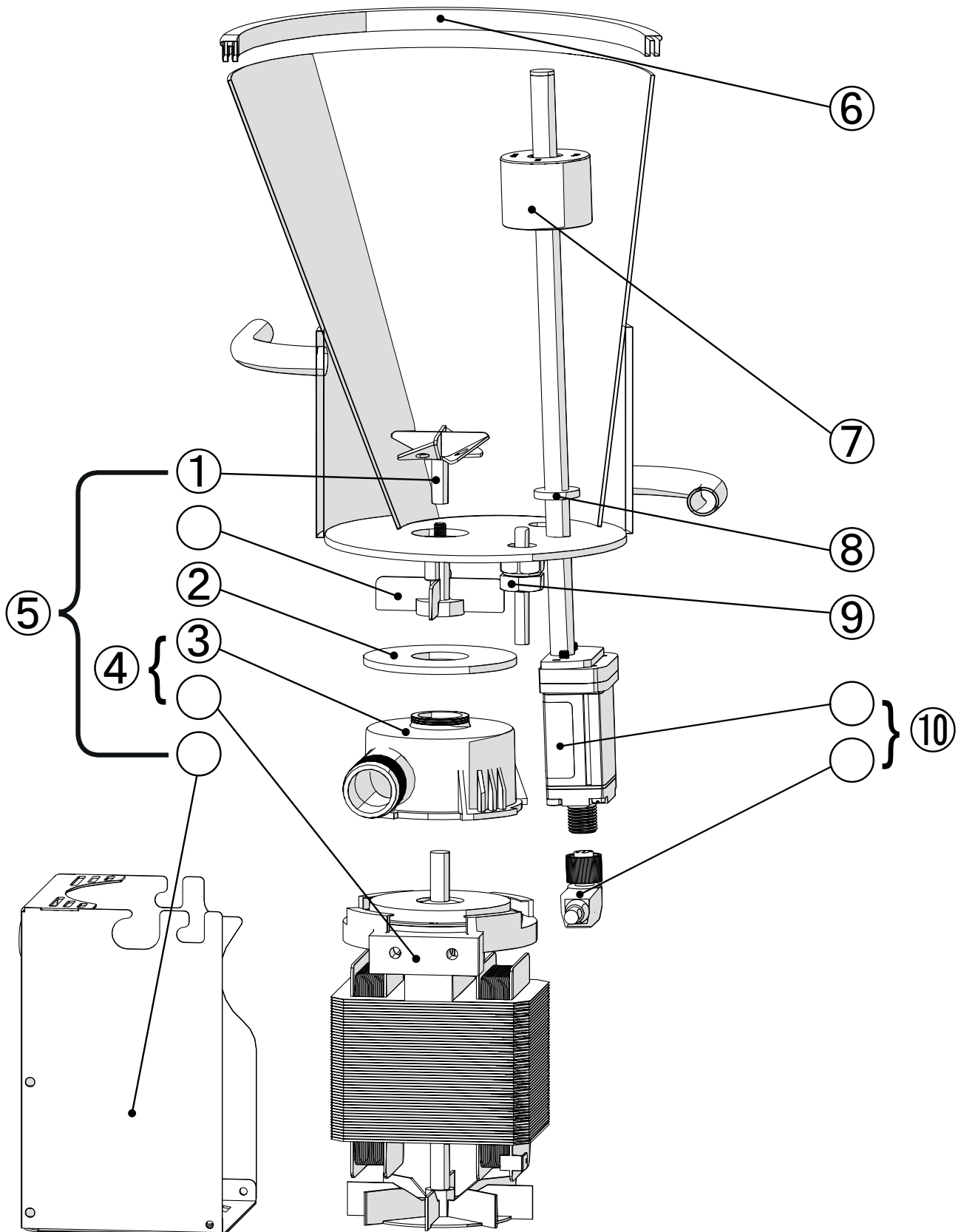


Pos.	Article no.	Description	Unit	Rebate
<b>Retrofit kit (complete)</b>				
	236.244	AP - Retrofit kit liquid additives 5 L (1.32 gal) incl. agitator	1 piece	4
<b>Selected parts of retrofit kit</b>				
①	956.628	Supply cables + connector for mixer of liquid dosing unit (24 V)	1 piece	2
②	953.216	AP/LS - DC-Board 24 V	1 piece	1
③	202.529	Container for liquid additives, 5 liters, with agitator	1 piece	1
④	956.627	Supply cables for pump of liquid dosing unit (24 V)	1 piece	2
⑤	230.163	Hose pump for liquid additives (replacement, complete)	1 piece	2
	956.617	SII LS AP: Bus cable 20 cm	1 piece	2

## 7 Pumps and accessories

### 7.1 Mixing bowl + Pump mixer unit (PuMi)

#### 7.1.1 Exploded view



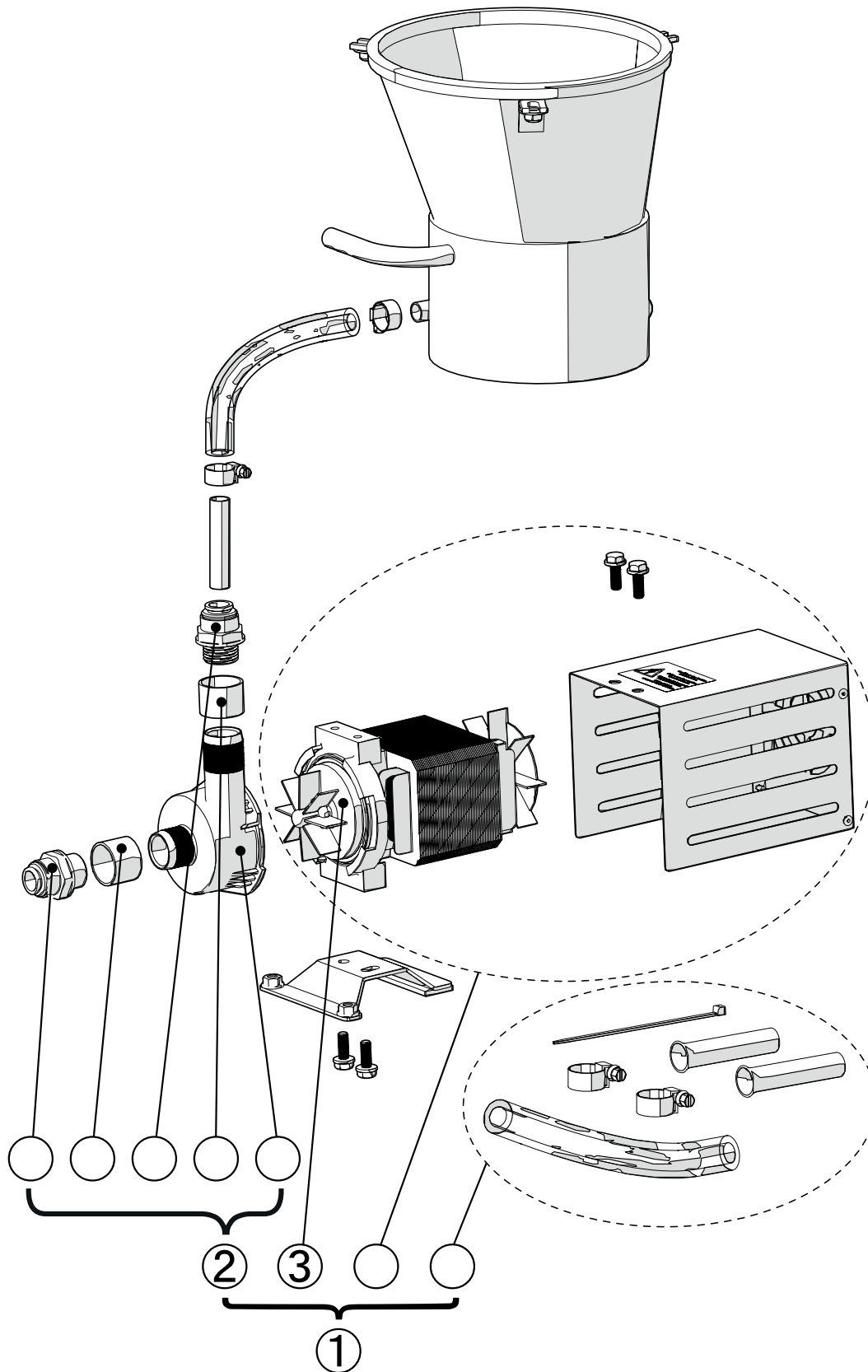


**7.1.2 List of spare parts**

Pos.	Article no.	Description	Unit	Rebate
①	101.092	U43 - PuMi-propeller E-modell	1 piece	2
②	998.875	Pump mixer unit: sealing ring	1 piece	1
③	981.333	Pump framing Mixer [U42/U43/U45] BE55	1 piece	1
④	201.451	Pump mixer unit (PuMi)	1 piece	2
⑤	201.092	PuMi as of series E, complete with guard plate and propeller	1 piece	2
⑥	998.851	Mixing bowl seal	1 piece	1
⑦	951.121	Float, plastic white MTS [top/MTS/top]	1 piece	2
⑧	998.805	Silicon washer - mixing bowl 19 × 9,5 × 3 mm	1 piece	1
⑨	953.191	Temperature sensor, 2,35 m, black, screwable, with thread M10	1 piece	2
⑩	202.128	Distance sensor, complete, with connecting cable	1 piece	2

## 7.2 Auxiliary pump (Circulating pump)

### 7.2.1 Exploded view



### 7.2.2 Assembly group, complete

Pos.	Article no.	Description	Unit	Rebate
①	238.050	U43 - conversion kit circulation pump BE55	1 piece	2

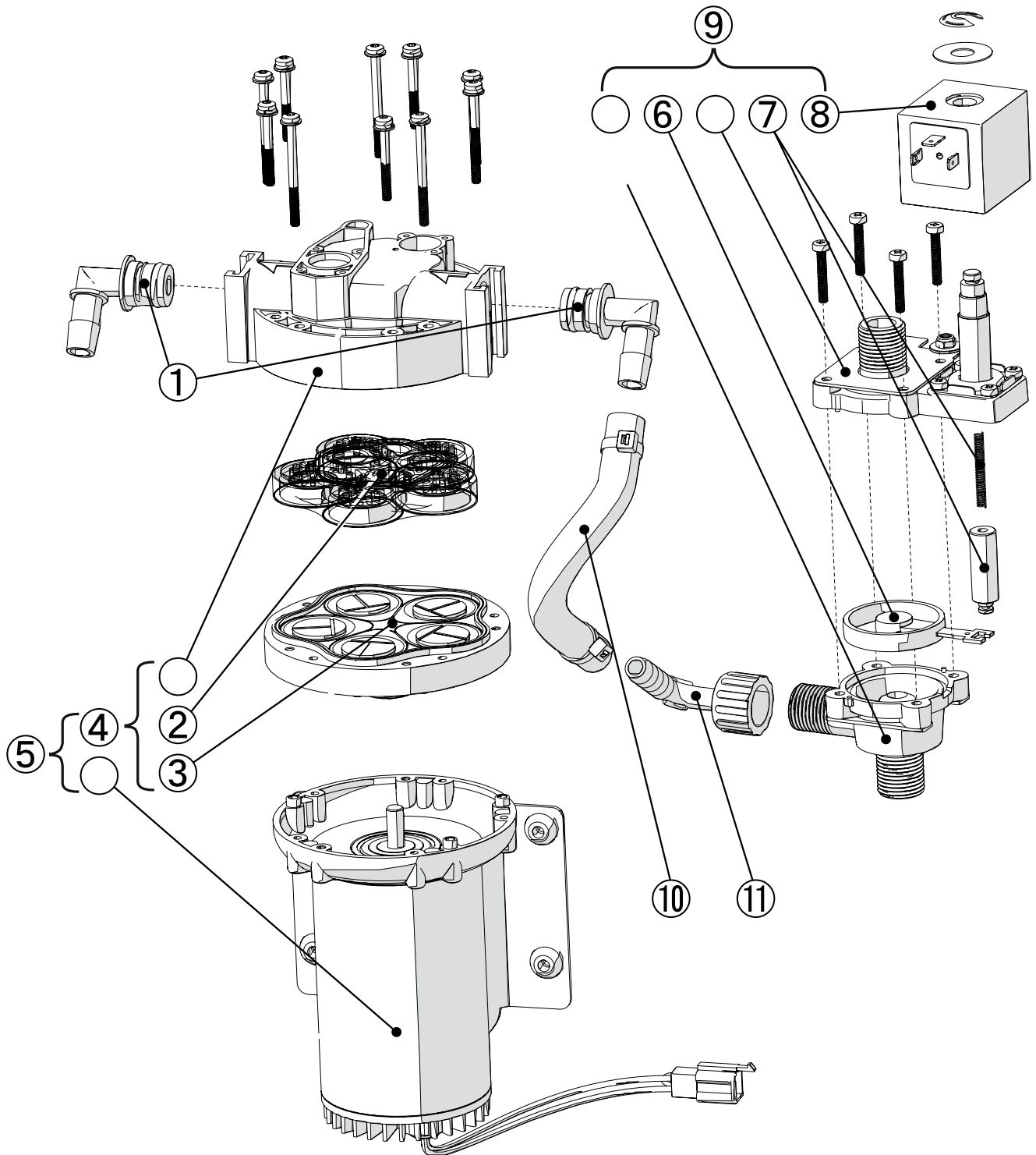
### 7.2.3 List of spare parts

Pos.	Article no.	Description	Unit	Rebate
②	202.100	Alma pump housing circulation pump BE55	1 piece	2
③	981.003	Auxiliary pump, complete	1 piece	2

## 7.3 Whole milk feeding

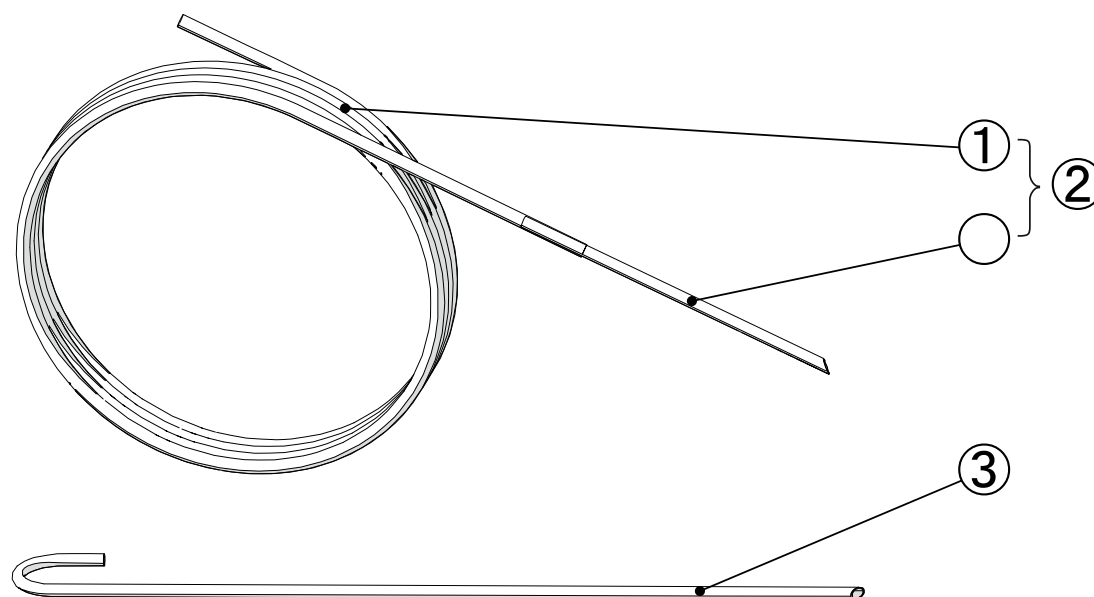
### 7.3.1 Whole milk pump (+ Whole milk valve)

Exploded view



**List of spare parts**

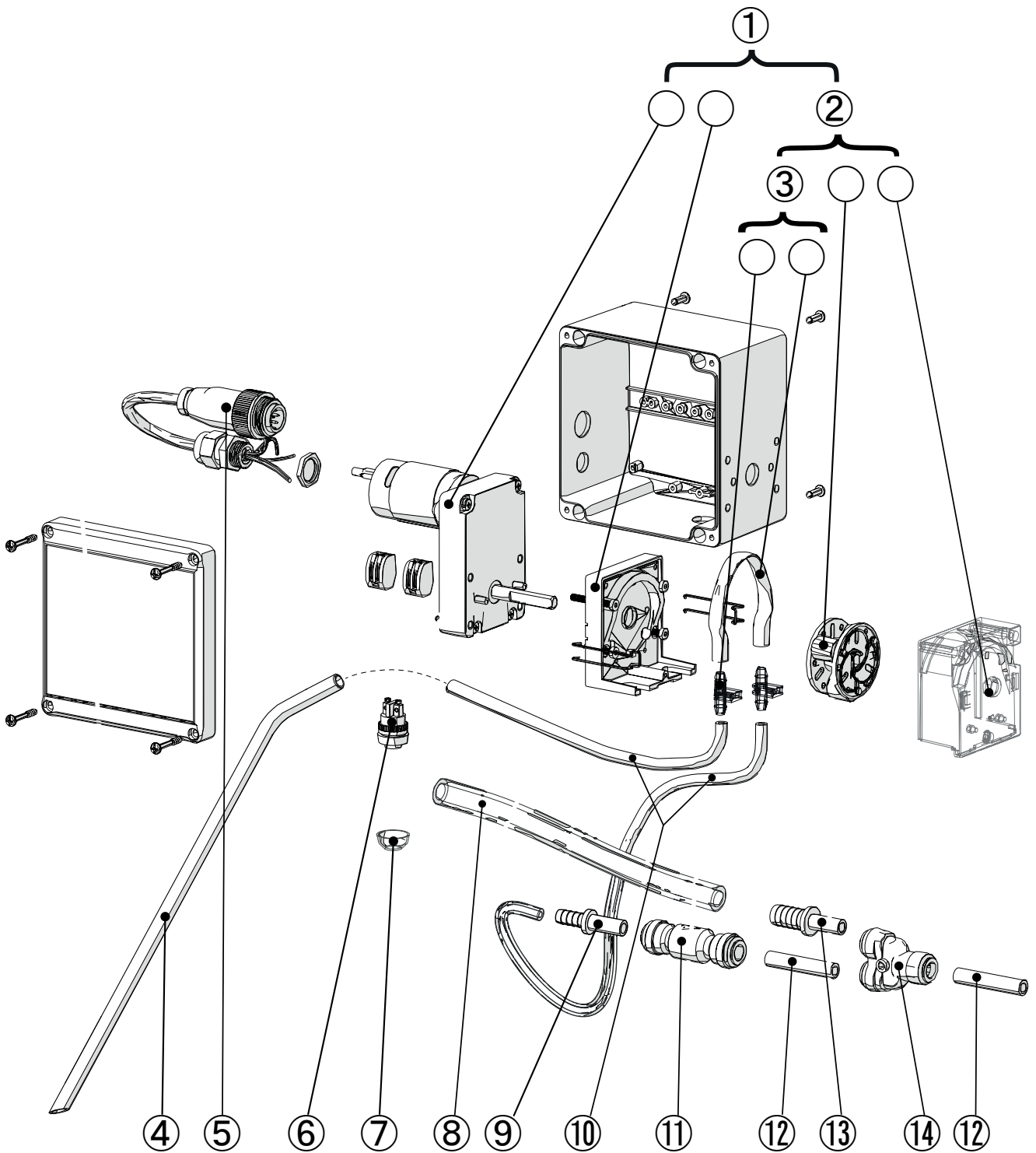
Pos.	Article no.	Description	Unit	Rebate
①	981.444	U40 connection fitting whole milk diaphragm pump	1 piece	1
②	981.432	U20/U40 Suction and pressure valves diaphragm pump	1 piece	2
③	981.433	U40 - Diaphragm piston on wobble plate /whole milk	1 piece	2
④	981.431	Pump head whole milk diaphragm pump	1 piece	2
⑤	201.021	U40 whole milk diaphragm pump	1 piece	2
⑥	981.399	Rubber seal whole milk/drain valve	1 piece	2
⑦	981.397	Spring and piston - whole milk valve	1 piece	2
⑧	981.445	Coil 24 V DC drain valve/hose clamping valve	1 piece	2
⑨	981.648	Whole milk valve 24 V	1 piece	2
⑩	982.078	Webbed silicon tube 10 × 3,5 mm (sold by meter)	1 m	1
⑪	981.191	Hose connector angle	1 piece	1

**7.3.2 Whole milk lances**

Pos.	Article no.	Description	Unit	Rebate
①	982.073	Silicone hose 10 × 3 mm, transparent	1 m	1
②	201.217	Whole milk suction pipe incl. hose	1 piece	2
③	200.696	Whole milk suction pipe, stainless steel	1 piece	4

## 7.4 Hose pump for liquid additives

### 7.4.1 Exploded view

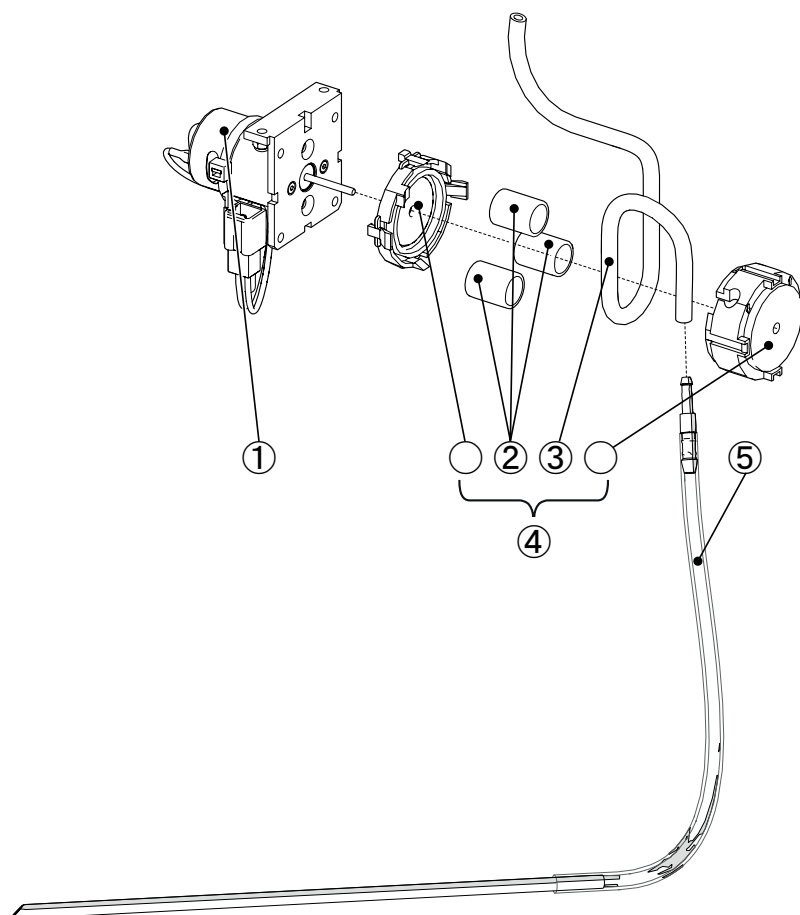


**7.4.2 List of spare parts**

Pos.	Article no.	Description	Unit	Rebate
①	230.163	Hose pump for liquid additives (replacement, complete)	1 piece	2
②	230.162	Maintenance kit: rotor, hose, housing (for pump liquid additives)	1 piece	2
③	230.161	Maintenance kit: hose + connectors (for pump liquid additives)	1 piece	2
④	982.020	U20/U30 - Detergent suction pipe	1 piece	1
⑤	956.629	Supply cables + connector for motor of liquid dosing unit	1 piece	2
⑥	951.006	Pushbutton (whole milk and milk drain)	1 piece	1
⑦	951.007	Sealing flap for pushbutton 951.006	1 piece	1
⑧	982.073	Silicone hose 10 × 3 mm, transparent	1 m	1
⑨	981.481	Hose stem 3/8" × 5/16"	1 piece	1
⑩	982.071	Silicone hose 6 × 3 mm transparent	1 m	1
⑪	981.683	Check valve, 3/8", white	1 piece	2
⑫	201.809	Hose connecting piece	1 piece	1
⑬	981.480	Hose stem 3/8" × 1/2"	1 piece	1
⑭	981.682	Y connector, 3/8"	1 piece	1

## 7.5 Hose pump for detergents

### 7.5.1 Exploded view



### 7.5.2 List of spare parts

Pos.	Article no.	Description	Unit	Rebate
①	981.329	Hose pump (detergents) SR 10/50	1 piece	2
②	981.325	Spare roller for hose pump SR 10/50	3 piece	1
③	982.220	Spare hose for hose pump SR10/50 (40 cm)	1 piece	1
④	981.373	Cassette SR10/50 detergent pump U43 / 37 cm hose	1 piece	1
⑤	201.069	Transfer tube for detergent container, PVC, alkaline (blue/yellow)	1 piece	1
	201.070	Transfer tube for detergent container, PVC, acidic (red)	1 piece	1



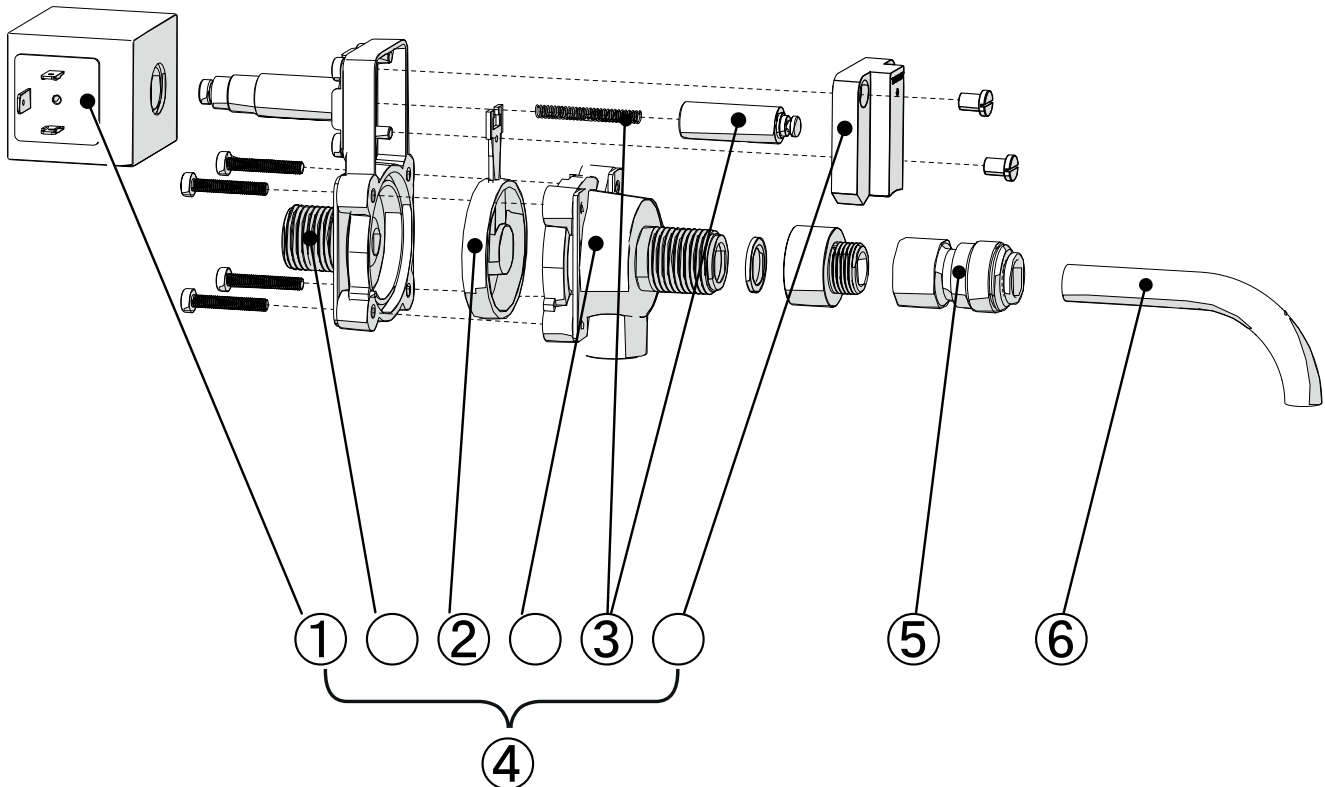
## 8 Valves

### 8.1 Whole milk valve

See chapter [7.3.1 Whole milk pump \(+ Whole milk valve\)](#), Page 36

### 8.2 Drain valve

#### 8.2.1 Exploded view

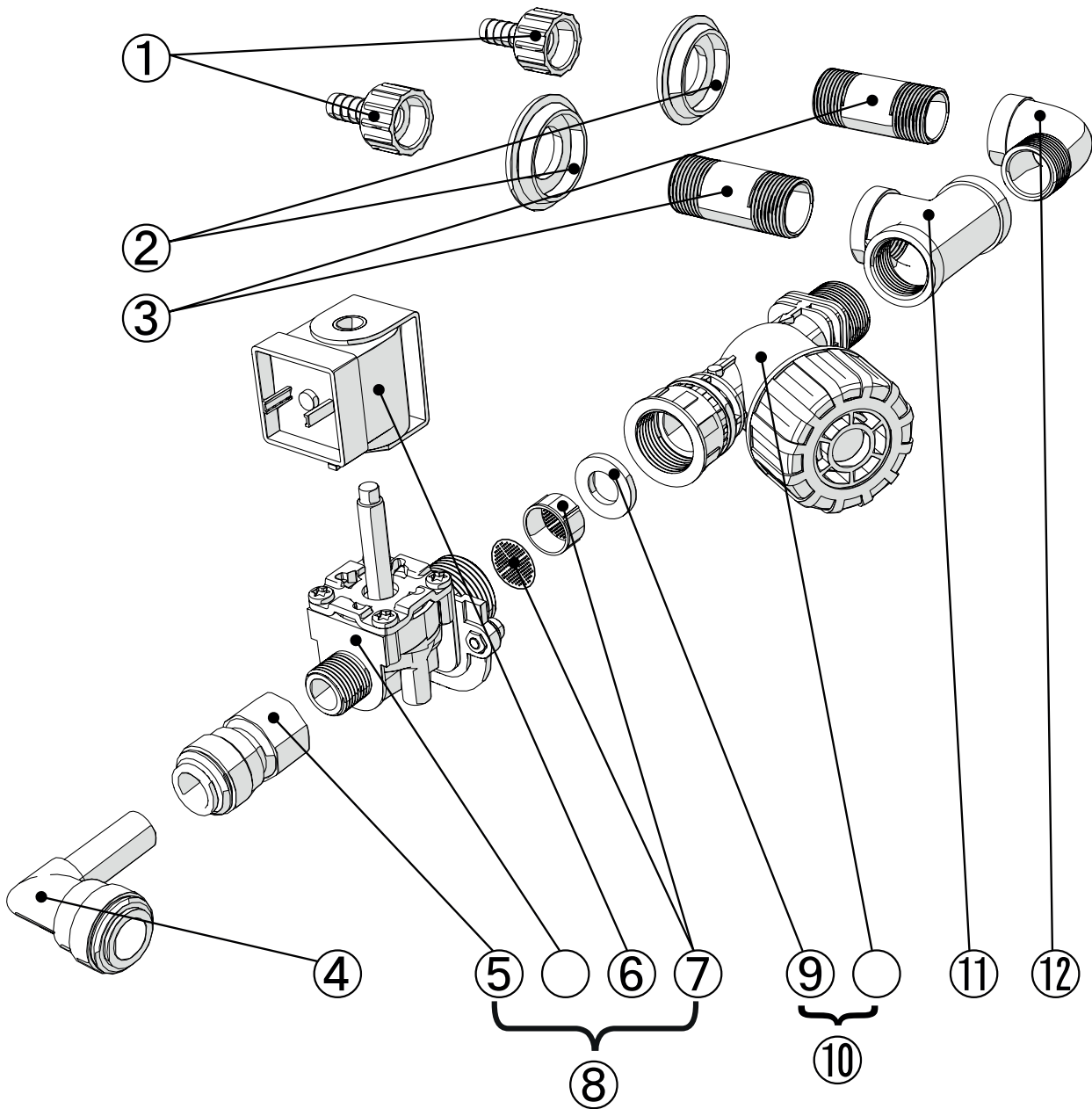


#### 8.2.2 List of spare parts

Pos.	Article no.	Description	Unit	Rebate
①	981.445	Coil 24 V DC drain valve/hose clamping valve	1 piece	2
②	981.399	Rubber seal whole milk/drain valve	1 piece	2
③	981.397	Spring and piston - whole milk valve	1 piece	2
④	201.013	Drain valve	1 piece	2
⑤	981.421	Female straight connector 12 mm × 3/8" thread BSP	1 piece	1
⑥	401.103	U42 outlet pipe (bended)	1 piece	2

## 8.3 Water valve

### 8.3.1 Exploded view

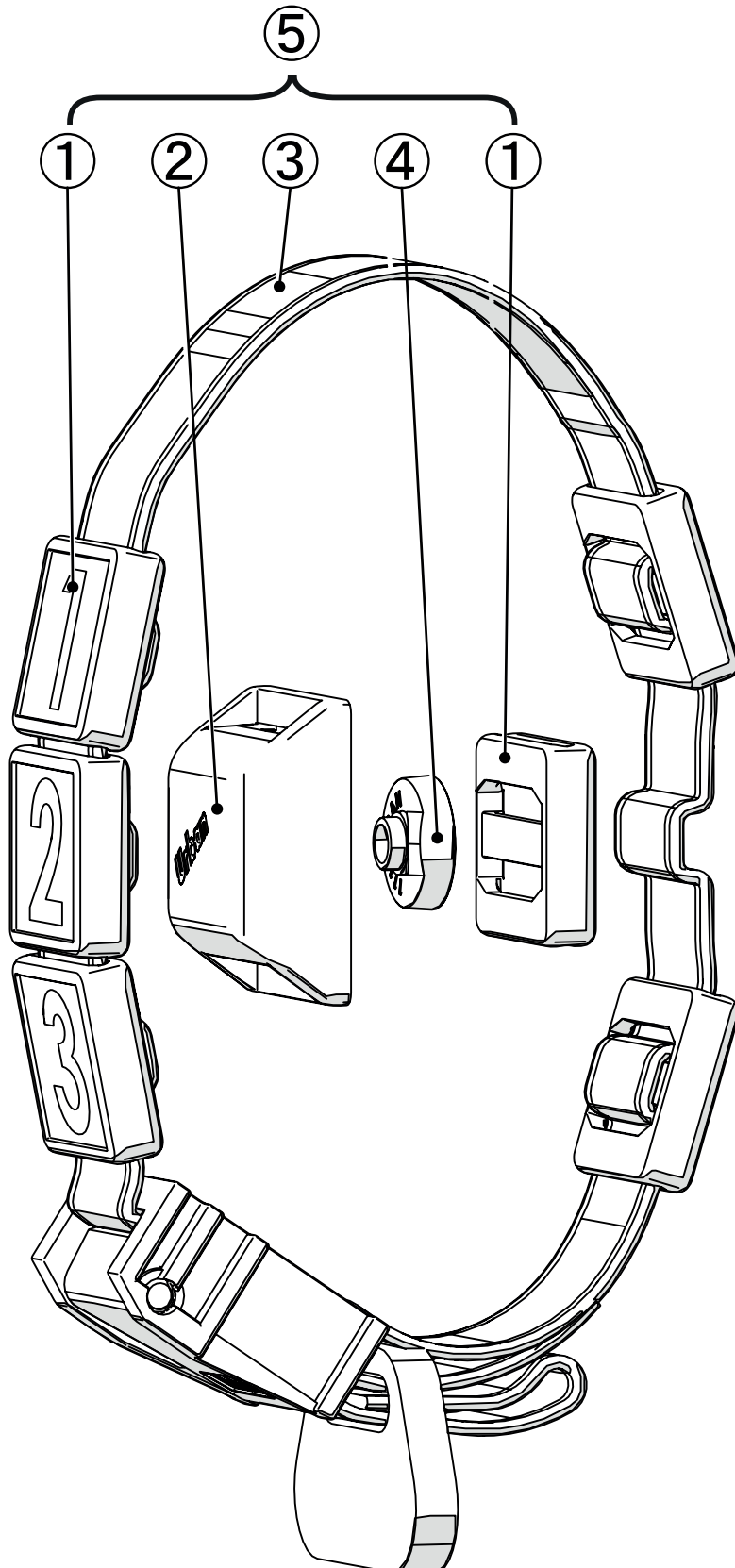


**8.3.2 List of spare parts**

Pos.	Article no.	Description	Unit	Rebate
①	981.632	Hose connection gland, IG 3/4" 13 mm PP	1 piece	2
②	982.149	U20/U40/AP - Blank plug	1 piece	2
③	981.618	Threaded steel pipe fitting 3/4" AA VA 60 mm	1 piece	3
④	981.413	Plug-in angle connector 12 mm	1 piece	1
⑤	981.421	Female straight connector 12 mm × 3/8" thread BSP	1 piece	1
⑥	981.394	U40 solenoid water valve A+K Müller	1 piece	2
⑦	230.120	Filter set for water valve	1 piece	2
⑧	201.088	U40 water valve A+K Müller	1 piece	2
⑨	998.815	Seal for water pre-filter	1 piece	1
⑩	981.645	Water filter	1 piece	2
	981.646	Water filter, water shut-off (circular loop)	1 piece	2
⑪	981.586	T-fitting 3/4" II VA	1 piece	3
⑫	981.585	Angle fitting 90° 3/4" IA VA	1 piece	3

## 9 Collar

### 9.1 Exploded view



## 9.2 List of spare parts

Pos.	Article no.	Description	Unit	Rebate
①	989.024	Identification number red	1 piece	1
②	989.018	Adapter piece for transponder, mounted on collar	1 piece	4
③	989.300	Collar with buckle 2016, length: 87 cm	1 piece	4
④	300.920	Alma-Pro Ear tag FDX	1 piece	4
⑤	300.910	Alma-Pro Calf collar with responder	1 piece	4
	989.073	Identification number red, Set 0-9	1 piece	1

## 10 Detergents / Containers



Due to export restrictions, Urban detergents cannot be shipped to certain countries. Please inquire prior to placing an order.

### 10.1 Acidic Detergents

Pos.	Article no.	Description	Unit	Rebate
①	989.060	Detergent Urban S30 (acid) 12 kg	1 piece	2
②	989.030	Detergent Urban S30 (acid) 25 kg	1 piece	2



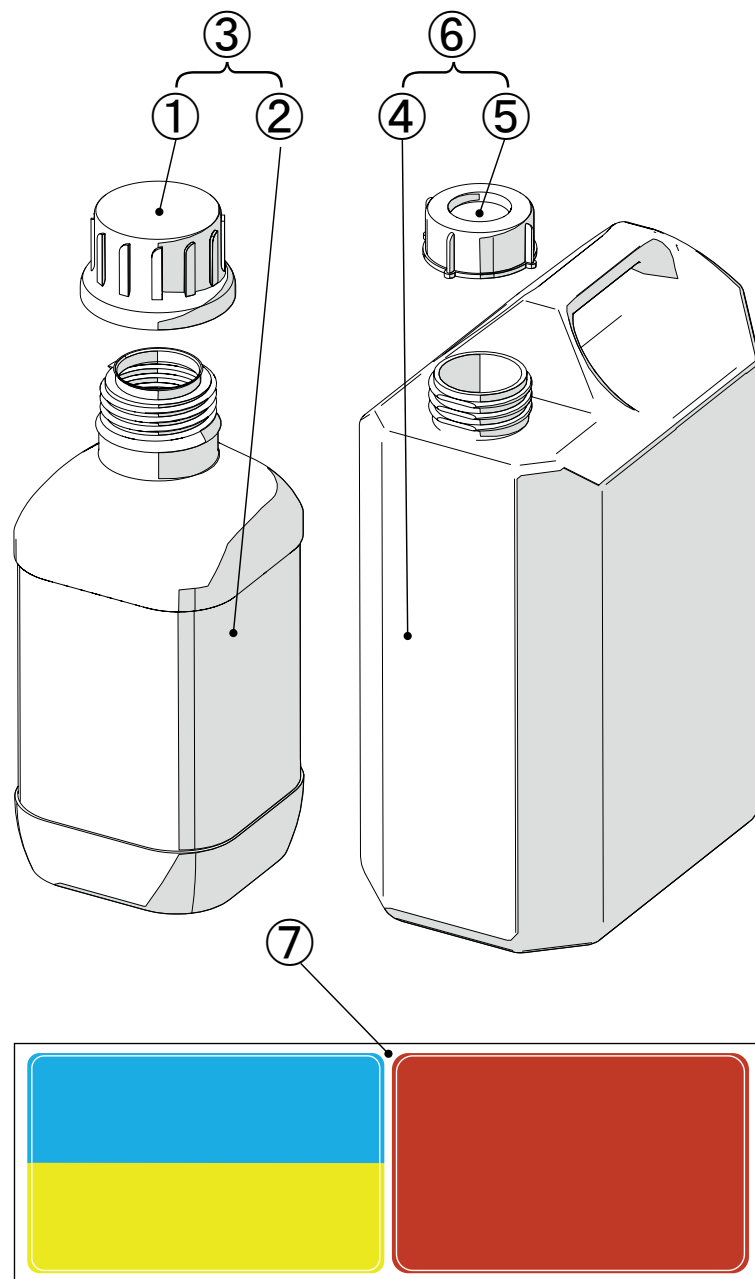
### 10.2 Alkaline Detergents

Pos.	Article no.	Description	Unit	Rebate
①	989.061	Detergent A30 (alkaline) 13 kg	1 piece	2
②	989.038	Detergent Urban A30 (alkaline) 28 kg	1 piece	2



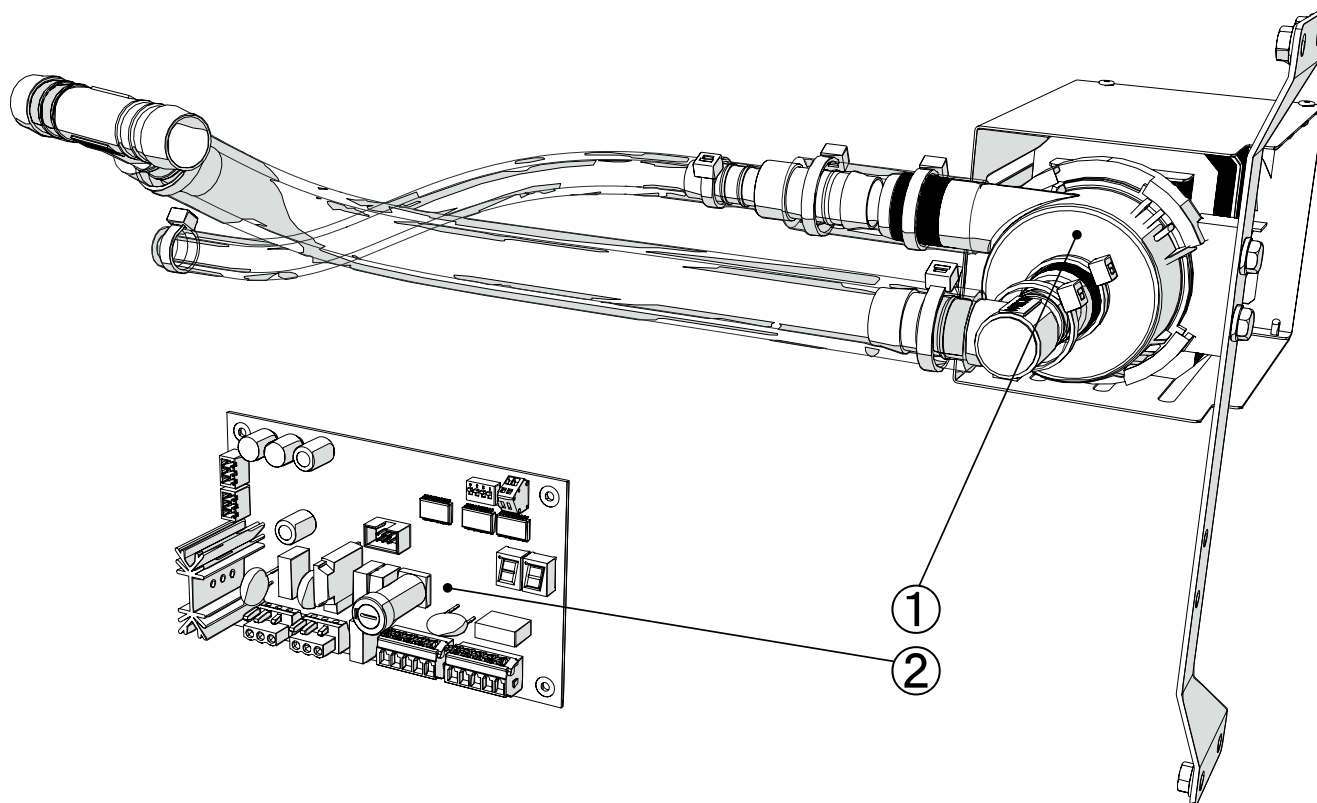
### 10.3 Spare containers (without detergent)

Pos.	Article no.	Description	Unit	Rebate
①	982.124	Screw cap for plastic bottle 982.123 (black)	1 piece	3
②	982.123	U20 - plastic bottle 1 l	1 piece	3
③	230.149	Plastic bottle (1 liter) + screw cap	1 piece	3
④	982.112	U40 - canister PE 3 liter	1 piece	2
⑤	982.113	Screw cap for canister 982.112 (black)	1 piece	2
⑥	230.148	Plastic jar with handle (3 liters) + screw cap	1 piece	3
⑦	985.210	Set of 2 decals for plastic bottles (red + yellow/blue)	1 piece	1



## 11 Retrofit kits

### 11.1 Retrofit kit auxiliary pump (article number: 236.241)



#### 11.1.1 Retrofit kit (complete)

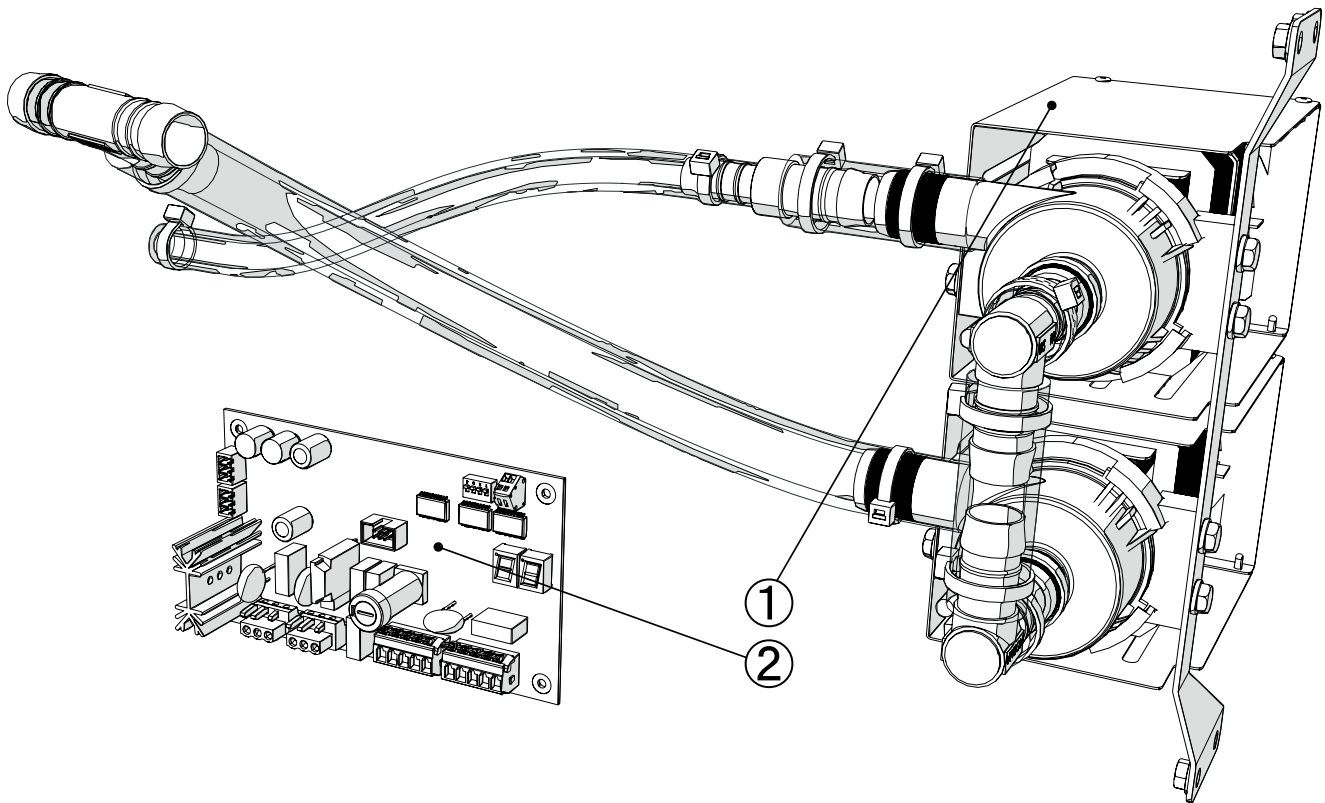
article number	Description	Unit	Rebate
236.241	AP - Retrofit kit Hose cycle pump	1 piece	2

#### 11.1.2 Selected parts of retrofit kit

Position	Description
①	AP - Auxilliary pump (assembly group)
②	LS/SII - Circuit board AC230L31 - 230 V control
	SII - Connection line AC230 - pump control
	AP: Wiring kit for circuit board AC2



## 11.2 Retrofit kit parallel feeding (article number: 236.401)



### 11.2.1 Retrofit kit (complete)

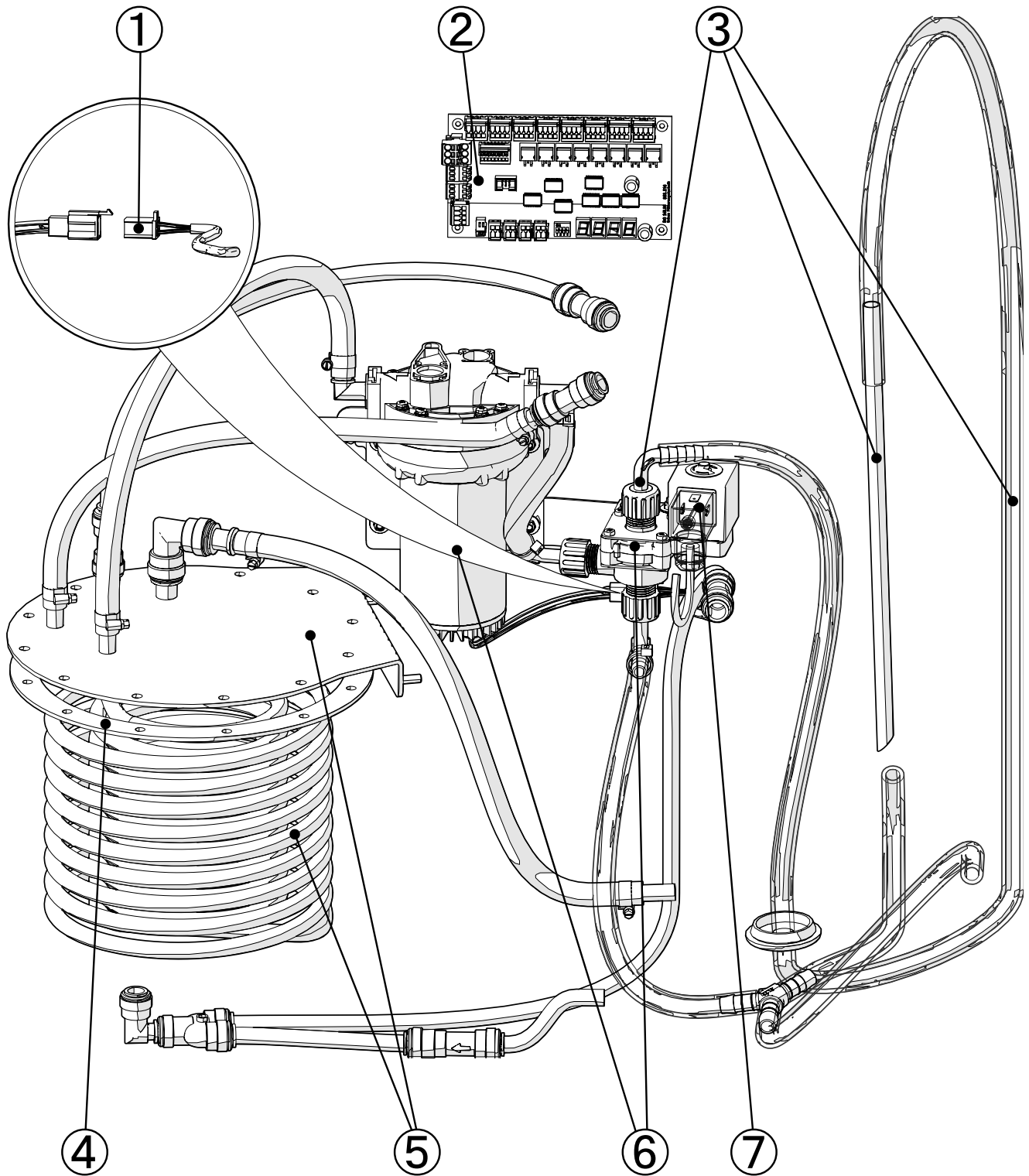
article number	Description	Unit	Rebate
236.401	Retrofit kit: parallel feeding (Alma Pro)	1 piece	4

### 11.2.2 Selected parts of retrofit kit

Position	Description
①	AP - Auxilliary + suction pump (assembly group, parallel feeding)
②	LS/SII - Circuit board AC230L31 - 230 V control SII - Connection line AC230 - pump control AP: Wiring kit for circuit board AC2

## 11.3 Retrofit kit whole milk (article number: 236.240)

### 11.3.1 Exploded view



**11.3.2 Retrofit kit (complete)**

article number	Description	Unit	Rebate
236.240	Alma-Pro: whole milk conversion kit	1 piece	4

**11.3.3 Selected parts of retrofit kit**

Position	Description
①	AP: Connecting lead for whole milk pump
②	AP/LS - DC-Board 24 V
③	AP: Hose for sucking in whole milk, with lance
④	Flange gasket for whole milk heat exchanger
⑤	Heat exchanger: helical coil, top cover (whole milk feeding)
⑥	AP: Whole milk pump with retaining plate + whole milk valve
⑦	Connecting lead for whole milk valve, 235 cm
	AP: Kit with hoses and connectors (whole milk feeding)
	SII LS AP: Bus cable 20 cm

**11.4 Retrofit kit *Dosing unit for powder additives* (236.242)**

See chapter [6.1.3 Retrofit kit \*Dosing unit for powder additives\* \(236.242\)](#), Page 25

**11.5 Retrofit kits *Dosing unit for liquid additives* (236.243 / 236.244)****11.5.1 Retrofit kit *Dosing unit for liquid additives (1 liter)* (236.243)**

See chapter [6.2.4 Retrofit kit \*Dosing unit for liquid additives \(1 liter\)\* \(236.243\)](#), Page 28

**11.5.2 Retrofit kit *Dosing unit for liquid additives (5 liters)* (236.244)**

See chapter [6.2.5 Retrofit kit \*Dosing unit for liquid additives \(5 liters\)\* \(236.244\)](#), Page 30

## 11.6 Retrofit kit Alma Pro Duo (2<sup>nd</sup> powder sort, article number: 236.246)



**11.6.1 Retrofit kit (complete)**

article number	Description	Unit	Rebate
236.246	Alma Pro Duo, retrofit kit second powder sort, incl. second housing	1 piece	4

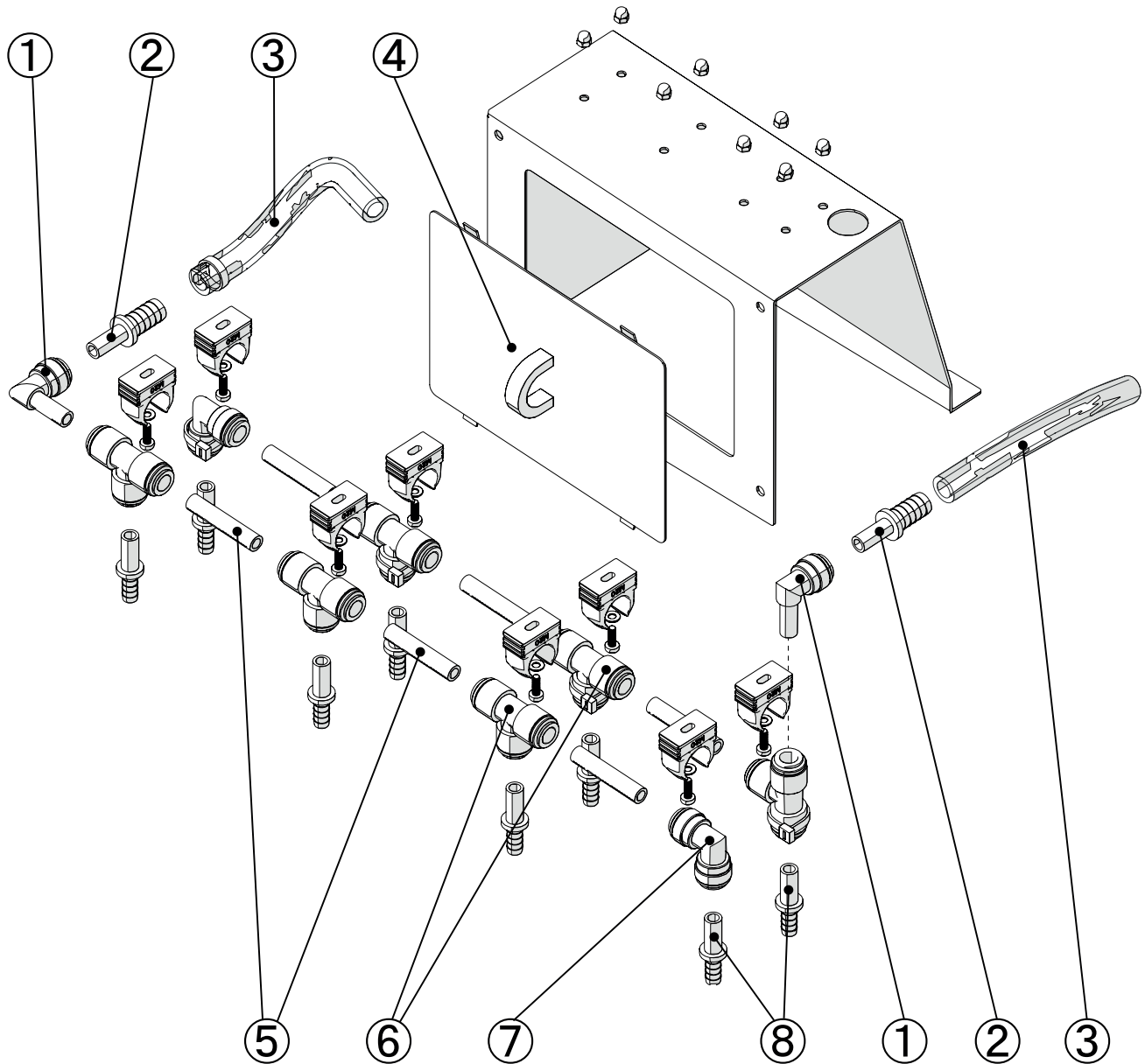
**11.6.2 Selected parts of retrofit kit**

Description
Set of drill bits (for retrofit kit <i>Second powder sort</i> )
AP: Additional housing with powder dosing unit (2nd powder sort)
Drill template for additional housing, 2nd powder sort (retrofit)
AP/LS - DC-Board 24 V

## 12 Maintenance parts

### 12.1 Connector block for hoses (lateral extension)

#### 12.1.1 Exploded view



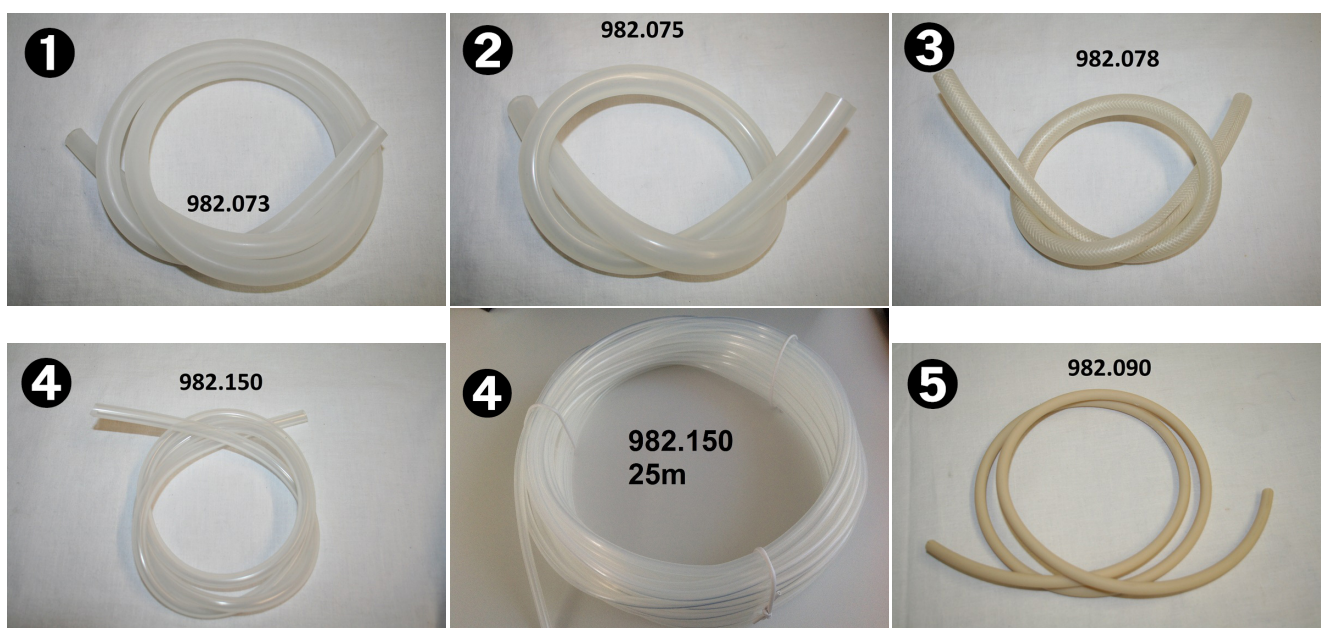
**12.1.2 List of spare parts**

Pos.	Article no.	Description	Unit	Rebate
①	981.500	Pipe plug nipple 3/8" × 3/8"	1 piece	1
②	981.480	Hose stem 3/8" × 1/2"	1 piece	1
③	982.073	Silicone hose 10 × 3 mm, transparent	1 m	1
④	202.514	Cover for service hatch, lateral extension	1 piece	2
⑤	201.809	Hose connecting piece	1 piece	1
⑥	981.483	T connector 3/8"	1 piece	1
⑦	981.616	Elbow connector 3/8"	1 piece	1
⑧	981.481	Hose stem 3/8" × 5/16"	1 piece	1

## 12.2 Hoses / Hose Kits

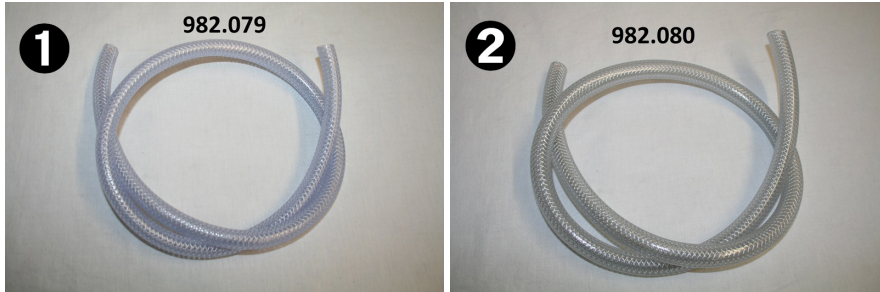
### 12.2.1 Silicone hoses (sold by the meter)

Pos.	Article no.	Description	Unit	Rebate
①	982.073	Silicone hose 10 × 3 mm, transparent	1 m	1
②	982.075	Silicone hose 18 × 4 mm, transparent	1 m	1
③	982.078	Webbed silicon tube 10 × 3,5 mm (sold by meter)	1 m	1
④	982.150	Silicone hose for hose clamp valve 6.5 × 1.5 mm	1 m	1
	982.150	Silicone hose for hose clamp valve 6.5 × 1.5 mm	25 m	1
⑤	982.090	Spare hose detergent pump (per meter)	1 m	1



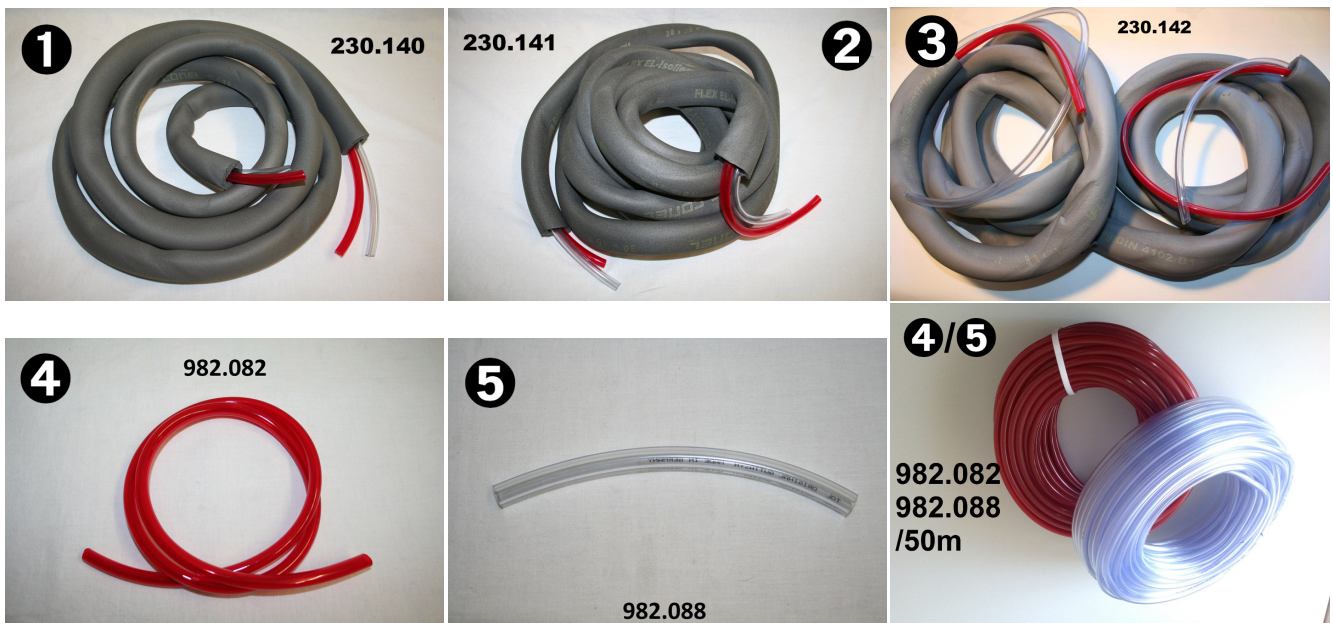


Pos.	Article no.	Description	Unit	Rebate
①	982.079	Woven hose TX-PVC 10 × 3 mm	1 m	1
②	982.080	Woven hose TX-PVC 13 × 3.5 mm	1 m	1



### 12.2.2 Suction hoses

Pos.	Article no.	Description	Unit	Rebate
①	230.140	Alma/U43 - Suction line complete 3 m, for maintenance	1 piece	2
②	230.141	Alma/U43 - Suction line complete 5 m, for maintenance	1 piece	2
③	230.142	Alma/U43 - Suction line complete 7.5 m, for maintenance	1 piece	2
④	982.082	PVC hose 7 × 2 mm, red, return pipe	1 m	1
	982.082	PVC hose 7 × 2 mm, red, return pipe	50 m	1
⑤	982.088	PVC hose 7 × 2 mm (clear/suction hose flow)	1 m	1
	982.088	PVC hose 7 × 2 mm (clear/suction hose flow)	50 m	1



**12.2.3 Miscellaneous hoses**

Pos.	Article no.	Description	Unit	Rebate
①	982.051	Flex pipe insulation 22 × 9 mm	1 m	1
②	982.089	PE hose 12 mm for plug-in system	1 m	1
③	201.809	Hose connecting piece	1 piece	1

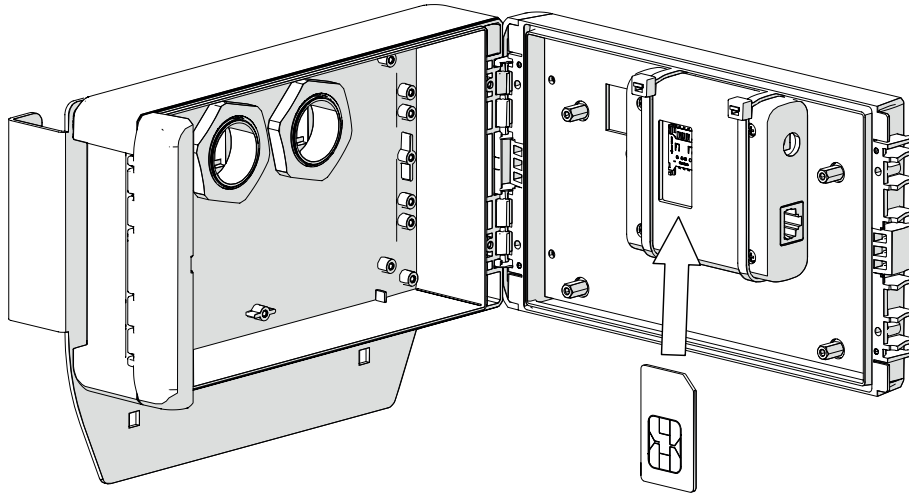
**12.2.4 Hose kits for maintenance**

Article no.	Description	Unit	Rebate
230.164	AP - Maintenance kit feeder internal Powder	1 piece	2
230.165	AP - Maintenance kit feeder internal Whole Milk	1 piece	2
230.136	Hose kit Alma feeding station	1 piece	2
230.137	Hose kit Alma Parallel feeding station	1 piece	2
230.140	Alma/U43 - Suction line complete 3 m, for maintenance	1 piece	2
230.141	Alma/U43 - Suction line complete 5 m, for maintenance	1 piece	2
230.142	Alma/U43 - Suction line complete 7.5 m, for maintenance	1 piece	2

## 13 Connectivity, remote control

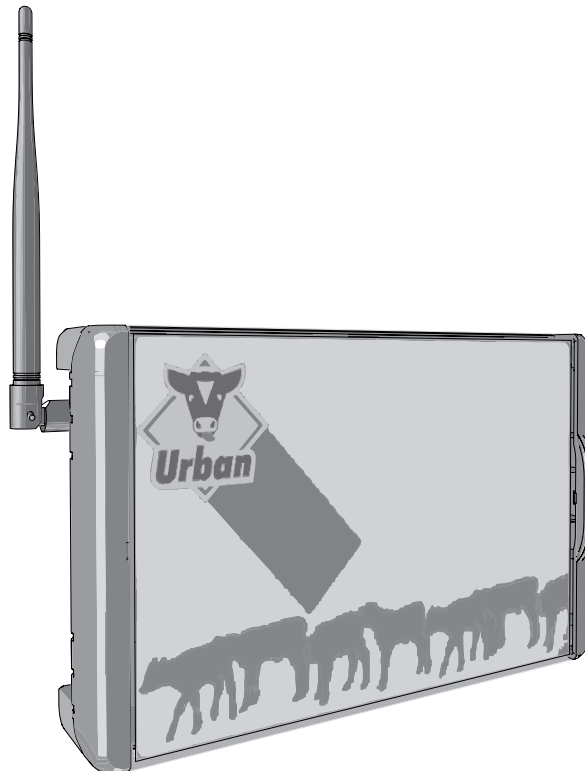
### 13.1 GSM module

Article no.	Description	Unit	Rebate
300.145	GSM module, 2G only	1 piece	4



### 13.2 WLAN router

Article no.	Description	Unit	Rebate
300.140	Router incl. WiFi module (2dbi)	1 piece	4



## Index: Article description

<b>A</b>		
Auxiliary pump	34	
<b>B</b>		
Boiler	20, 22	
Additional Boiler (3 kW)	22	
Main boiler	20	
<b>C</b>		
Circulating pump	34	
Collar	44	
Connecting cables		
Electronic control of feeding station	13	
Touchscreen computer	11	
Containers		
Detergents	46	
for liquid additives	27	
1 liter	27	
5 liters	26	
<b>D</b>		
Detergents (acidic/alkaline)	46	
Spare containers	47	
Dosing unit		
for liquid additives	26	
Retrofit kit	28, 30	
1 liter	28	
5 liters	30	
for powder additives	24	
Retrofit kit	25	
Drain valve	41	
<b>E</b>		
Electronic control of feeding station	12	
<b>G</b>		
Grounding cables	11	
GSM module	59	
<b>H</b>		
Heat exchanger	20	
Hose Kits	56	
for maintenance	58	
Hose pump		
Detergents	40	
for liquid additives	38	
Hoses	56	
Miscellaneous	58	
Silicone	56	
Suction hoses	57	
<b>L</b>		
Liquid dosing unit	26	
<b>M</b>		
Maintenance parts	54	
Milk feeding station	12	
Mixing bowl	32	
<b>P</b>		
Powder bag	18	
Pumps	32	
Auxiliary pump	34	
Circulating pump	34	
Hose pump		
Detergents	40	
for liquid additives	38	
Pump mixer unit (PuMi)	32	
Whole milk	36	
<b>R</b>		
Retrofit kit		
2 <sup>nd</sup> powder sort	52	
Auxiliary pump	48	
Circulating pump	48	
Dosing unit		
for liquid additives		
1 liter	28	
5 liters	30	
for powder additives	25	
parallel feeding	49	
Whole milk	50	
<b>S</b>		
Suction hoses	57	
Switch cabinet with switchboards	8	
<b>T</b>		
Temperature sensor		
Additional Boiler (3 kW)	23	
Main boiler	21	
Milk feeding station	15, 17	
Pump mixer unit (PuMi)	33	
Touchscreen computer	10	
<b>V</b>		
Valve unit		
group feeding	14	
parallel feeding	16	
Valves		
Drainage	41	
Water inlet	42	
Whole milk	36, 41	

**W**

Water valve .....	42	Lances .....	37
Whole milk .....	36	Pump .....	36
Heat exchanger .....	20	Valve .....	36, 41
		WLAN router .....	59

## Index: Article numbers

101.006	19	230.161	39	953.179	23
101.010	25	230.162	39	953.191	33
101.011	19	230.163	29, 31, 39	953.192	21
101.012	19	230.164	58	953.206	9
101.092	33	230.165	58	953.211	11
101.641	11	230.170	23	953.216	9, 29, 31
101.682	11	230.210	21	953.222	13
101.734	15	230.510	11	953.232	9
109.101	13	236.215	21	956.147	19
200.696	37	236.240	50, 51	956.202	21, 23
201.012	19	236.241	48	956.232	15
201.013	41	236.242	25	956.304	17
201.021	37	236.243	28, 29	956.548	11
201.069	40	236.244	30, 31	956.610	13
201.070	40	236.246	52, 53	956.611	13
201.088	43	236.247	13	956.612	13
201.092	33	236.401	49	956.617	29, 31
201.093	15	238.050	35	956.627	29, 31
201.122	9	300.140	59	956.628	27, 31
201.130	17	300.145	59	956.629	39
201.181	13	300.910	45	956.640	11
201.217	37	300.920	45	956.641	11
201.218	27	301.014	19	956.642	11
201.230	27	301.020	17	956.643	11
201.343	17	401.103	41	956.644	11
201.346	25	401.711	9	956.645	11
201.421	19	501.040	21	956.646	11
201.449	17	501.343	11	956.647	11
201.451	33	915.251	13	956.648	11
201.484	21	950.138	23	956.650	13
201.572	19	950.139	17	981.003	35
201.809	39, 55, 58	950.156	11	981.191	37
202.100	35	950.610	11	981.325	40
202.128	33	950.611	13	981.329	40
202.389	15, 17	951.006	39	981.333	33
202.391	11	951.007	39	981.373	40
202.510	19	951.015	9	981.394	43
202.514	55	951.034	21	981.397	37, 41
202.529	31	951.058	9	981.399	37, 41
230.001	21	951.067	9	981.401	15, 17
230.120	43	951.091	21, 23	981.413	21, 23, 43
230.121	19	951.108	27	981.417	15, 17
230.136	58	951.110	25	981.418	15, 17
230.137	58	951.121	33	981.421	41, 43
230.140	57, 58	951.167	17	981.422	15, 17
230.141	57, 58	951.168	17	981.423	23
230.142	57, 58	951.169	17	981.424	21
230.148	47	951.190	9	981.425	23
230.149	27, 29, 47	953.001	9	981.431	37

981.432	37	981.683	39	989.030	46
981.433	37	981.685	23	989.033	15
981.444	37	981.687	23	989.034	17
981.445	15, 17, 37, 41	982.020	29, 39	989.038	46
981.448	21	982.051	58	989.041	15
981.449	21	982.065	27	989.046	15, 17
981.450	27	982.071	27, 39	989.052	15, 17
981.452	27	982.073	37, 39, 55, 56	989.060	46
981.453	27	982.075	56	989.061	46
981.480	39, 55	982.078	37, 56	989.073	45
981.481	15, 17, 39, 55	982.079	57	989.300	45
981.483	15, 17, 55	982.080	57	998.000	19
981.500	17, 55	982.082	57	998.252	11
981.502	17	982.088	57	998.805	33
981.503	17	982.089	23, 58	998.811	11
981.508	21	982.090	56	998.815	43
981.509	21	982.112	47	998.823	27
981.515	21	982.113	47	998.851	33
981.583	17	982.123	27, 29, 47	998.854	17
981.585	43	982.124	27, 29, 47	998.856	21
981.586	43	982.149	43	998.875	33
981.616	55	982.150	15, 17, 27, 56	998.914	19
981.618	43	982.220	40	998.931	11
981.632	43	982.237	17	998.936	25
981.645	43	982.307	15	999.214	19
981.646	43	982.382	19	999.255	19
981.648	37	985.210	47	999.300	15, 17
981.649	23	989.018	45		
981.682	39	989.024	45		



FEEDING TECHNOLOGY *specialized in calves*

Urban GmbH & Co. KG  
Auf der Striepe 9  
D-27798 Wüstring  
Germany

Phone: +49(0) 44 84/93 80-0  
Fax: +49(0) 44 84/93 80-10

[info@urbanonline.de](mailto:info@urbanonline.de)

[www.urbanonline.de](http://www.urbanonline.de)

