

McHale **PROGLIDE**

MOWER
RANGE



www.mchale.net

The Professional Choice

McHale

PROGLIDE



Pro Glide - F3100 Front, R3100 Rear and B9000 Combination Mowers

Every year McHale balers produce over 75 million bales of forage for farmers and contractors around the world.

To maximise the feed value of this forage it is important that grass crops are cut when the sugar content is highest and that the mower leaves clean crop stubble and delivers quality forage, free from impurities.

McHales design team have combined their specialist knowledge of crop harvesting, energy and technical know-how to develop the McHale Pro Glide range of mowers.

The Pro Glide range of mowers offers a number of unique features which deliver:

- **Superior floatation**
- **Self adjusting cutter bar angle**
- **Constant cutter bar ground pressure**
- **Enhanced cutter bar protection**
- **Optimum conditioning**
- **Clean uniform swath**
- **Higher output**
- **Optimum transport position**
- **Greater visibility**

McHale PROGLIDE

PROGLIDE

R3100



McHale



PROGLIDE

F3100

McHale PRO GLIDE MOWER RANGE

F3100



R3100



B9000



McHale FRONT MOWER



PRO GLIDE F3100

STANDARD FEATURES INCLUDE

- Tubular frame with integrated suspension design
- Springs provide excellent ground following ability
- Automatic bed angle adjustment
- Patented constant ground pressure
- 17 degree transverse movement (left / right movement)
- 500 mm adaptive range (up / down movement)
- Excellent headland height clearance of over 600 mm
- Foldable guards give optimum access to the cutter bar
- Narrow transport width provides excellent visibility



McHale PROGLIDE

FRONT MOWER
SUSPENSION

3D GROUND TRACKING TECHNOLOGY

The McHale Pro Glide range of front mowers suspension allows the cutterbar to move independently of the tractors front linkage.

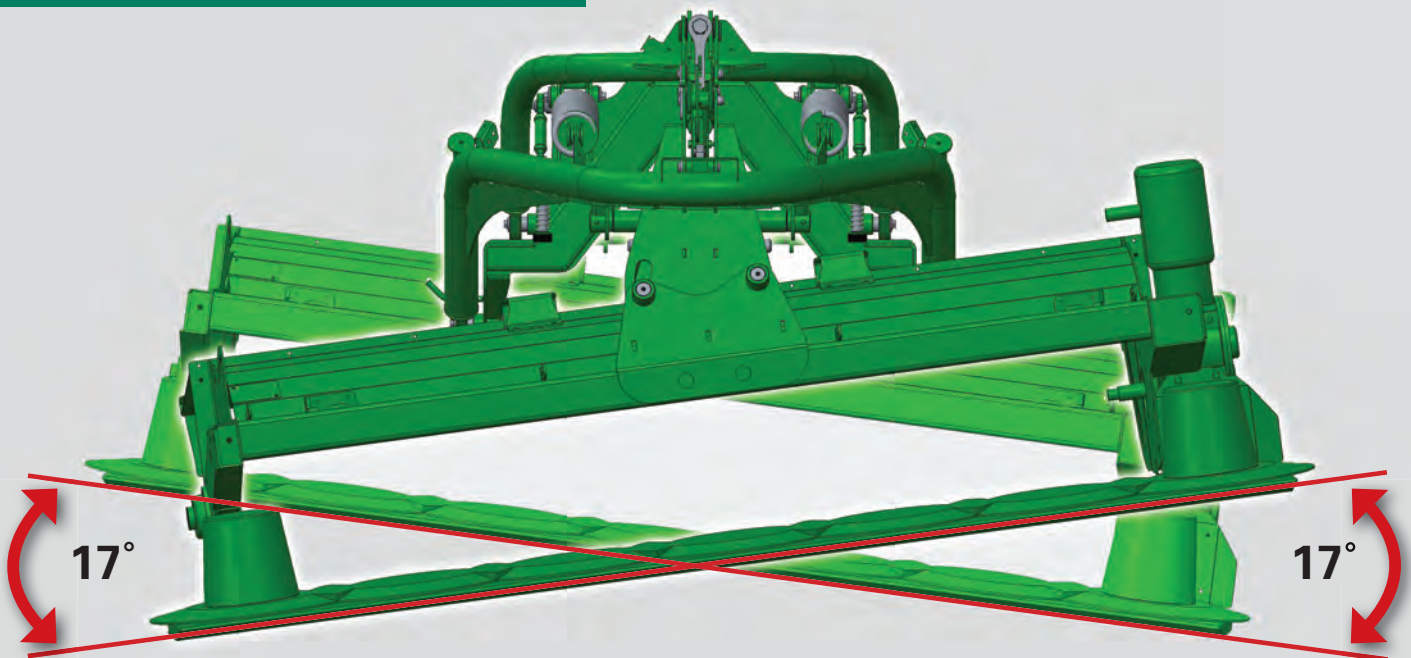
The McHale Patented Spring Compensator ensures that cutter bar ground pressure is maintained over the 500mm vertical travel range and the cutter bar angle automatically adjusts up & down to the changes in the ground conditions.

The McHale Pro Glide range of mowers offers a number of unique features which deliver:

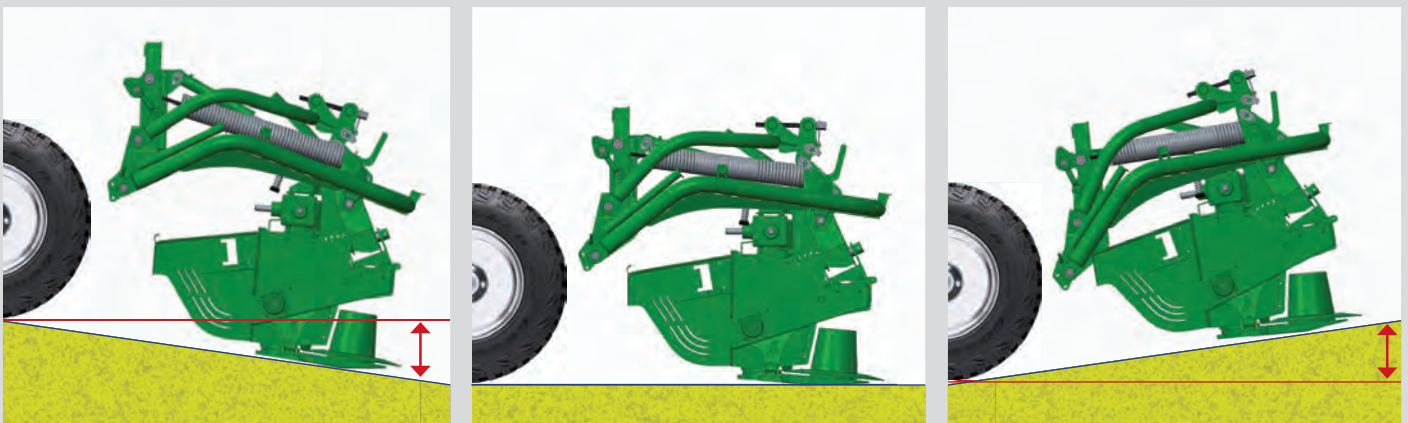
- **Vertical Working Range - 500mm**
- **Cutter Bar Transverse Range - 17°**
- **Automatic Bed Pressure Adjustment**
- **Headland Clearance of over 600 mm**
- **Greater Driver Visibility**



TRANSVERSE PIVOT RANGE-17°



VERTICAL WORKING RANGE- 500 mm



The ProGlide front mower has its own independent suspension, which allows the mower to automatically move up & down independent of the tractor and has a vertical travel range of 500 mm. If mowing into a dip the angle of the cutterbar will automatically adjust down and while mowing into an incline the cutterbar angle will automatically adjust up.

The integrated suspension allows the mowing unit to move completely independently from the front linkage. This guarantees the best possible pattern of movement of the mower unit by allowing the cutter bar to immediately respond in an up and down, or left and right motion to changes in ground conditions.

At standard settings the cutter bar has a remarkable 500 mm adaptive range, which allows the mower to automatically adjust to ground contours.

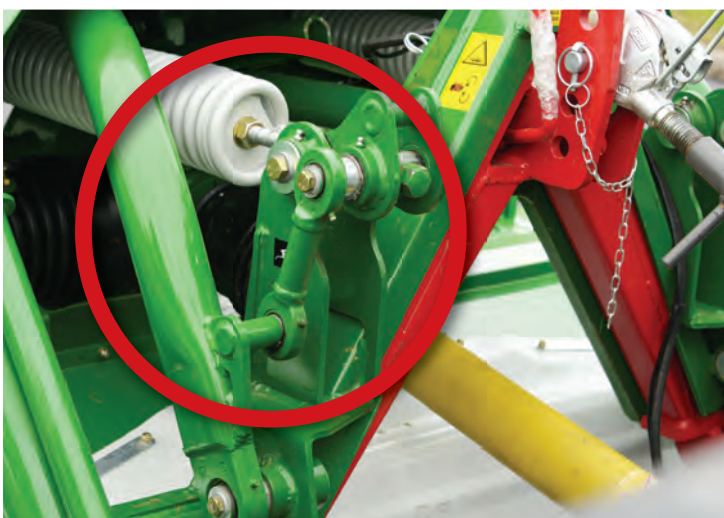


McHale's design team have designed the frame on the Pro Glide front mower to place the centre of gravity as close as possible to the tractor, which results in unrivalled responsiveness to changes in ground conditions.

The support frame on the McHale Pro Glide mower responds to uneven terrain to glide over the ground through the use of an integrated suspension.

Transverse pivot range of 17 degrees allows the cutter bar to follow right to left or left to right changes in ground conditions, without overloading the cutter bar.

When faced with an incline or decline in ground conditions the cutter bar automatically adjusts its mowing angle by inclining upwards over bumps and slants downwards into dips which ensures unrivalled cutting performance.



The McHale Pro Glide front mower range is fitted with patented active spring compensator technology which ensures that the mower cutter bar always applies the same ground pressure regardless of the working height.

When the ground pressure is set on the springs as the mower travels downward the patented active spring compensator controls the spring tension and ensures that the weight of the cutter bar on the ground is kept uniform regardless of the working height.

PRO GLIDE

PROGLIDE

MOWER
RANGE



McHale

REAR MOWER



PROGLIDE R3100

To achieve the maximum performance and results from a rear mower, the cutter bar and mower suspension work together to deliver uncontaminated forage.

As a result McHale have developed a unique patented ground adaption technology which delivers 3 dimensional ground contour tracking for its Pro Glide range of rear mowers. This allows the mower an arc of movement from left to right and also allows the mower to move forward and back to adjust to changes in ground conditions.



3D GROUND TRACKING TECHNOLOGY

The McHale Pro Glide range of rear mowers has been developed to deliver superior floatation and ground following.

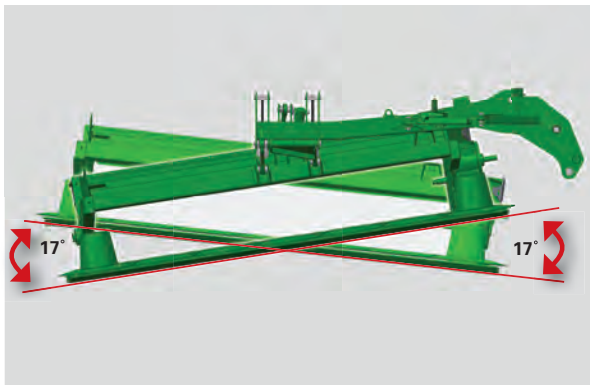
The ProGlide range of rear mowers is fitted with patented ground adaption technology which delivers 3 dimensional ground tracking. This allows the mower to easily mow on rough or undulating terrain and still deliver optimal results.

The McHale Pro Glide range of mowers offers a number of unique features which delivers:

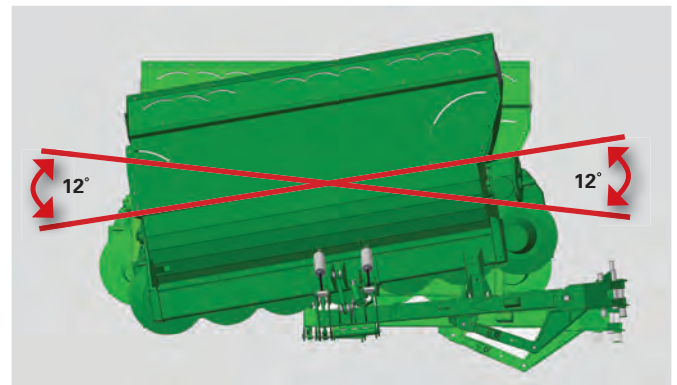
- **3D Ground Tracking**
- **Unique Forward/ Back Movement**
- **Transverse Movement of 17°**
- **Unique Stone Protection**
- **Superior Cutting Performance**



TRANSVERSE PIVOT RANGE -17°

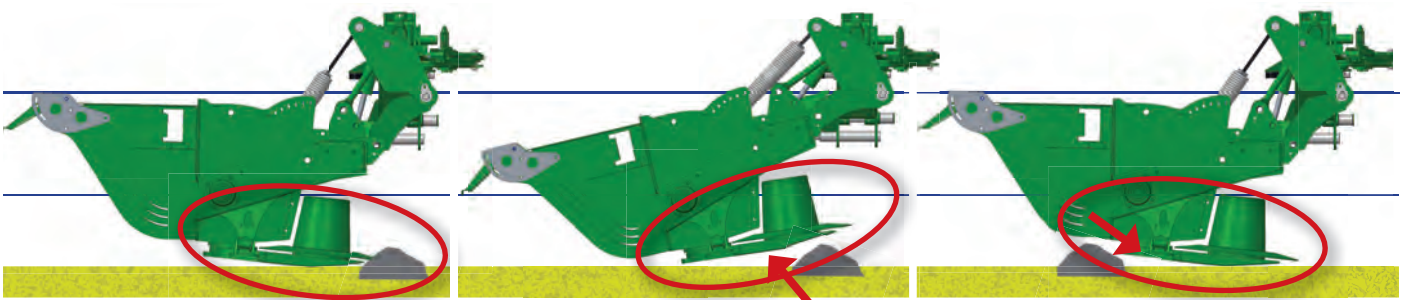


FORWARD/ BACK MOVEMENT - 12°



UNIQUE CUTTERBAR PROTECTION

If the mower encounters an obstacle, the cutterbar can move back and up



CUTTERBAR CAN MOVE BACK AND UP

3 DIMENSIONAL GROUND CONTOUR TRACKING

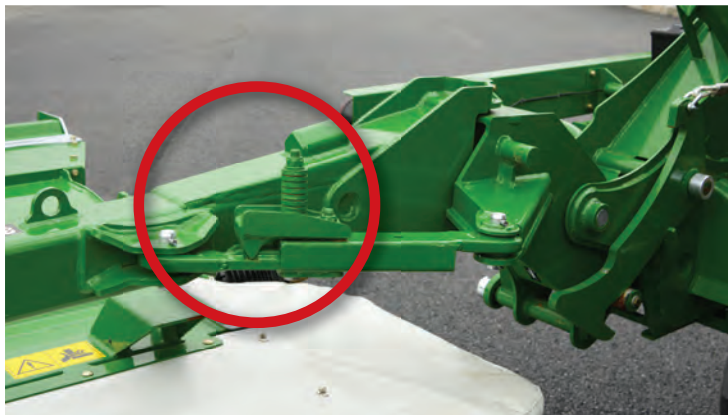


Most rear mowers have a central pin which allows the mower to move left and right to adjust to changes in ground condition. The McHale Pro Glide is different in that it is fitted with a patented 3D ground tracking suspension unit, which allows the mower to:

- **Move left and right**
- **Move Forward and Back**
- **Let the cutter bar move back and up if it collides with an obstacle**

This ensures that the Pro Glide cutterbar delivers better cutting performance.

The Pro Glide range of rear mowers are fitted with patented ground adaption technology, which allows the bed to move back and up if the bed encounters small obstacles. This saves time and maximises throughput as it means the obstacle does not trigger the main break back protection. This results in higher moving speeds being able to be achieved without the interruption of having to reset the break back.



The Pro Glide rear suspension springs react instantly to ground contours, which results in a high quality cut even when working at high ground speeds. This allows the mower to easily mow on rough or undulating terrain and still deliver optimum results.

If the mower hits an immovable object, it is fitted with a mechanical break back, which will be triggered.

On the Pro Glide rear mowers, the cutter bar ground pressure can be set from the tractor cab. The working pressure is visually displayed on the clock which is mounted on the headstock.

Once the desired pressure is selected the cutter bar working pressure can be isolated from the tractor hydraulics with a mechanical tap.



For transportation, the McHale Pro Glide folds vertically to position itself behind the centre point of the tractor for safe transport. The transport height of the machine is reduced as the mower bed is at 110 degree angle.

This position allows for the mower to distribute its weight across the tractor for ease of transport on the road while also providing the driver with a clear view from his rear view mirrors.

PROGLIDE

PROGLIDE

MOWER
RANGE



McHale COMBINATION MOWER



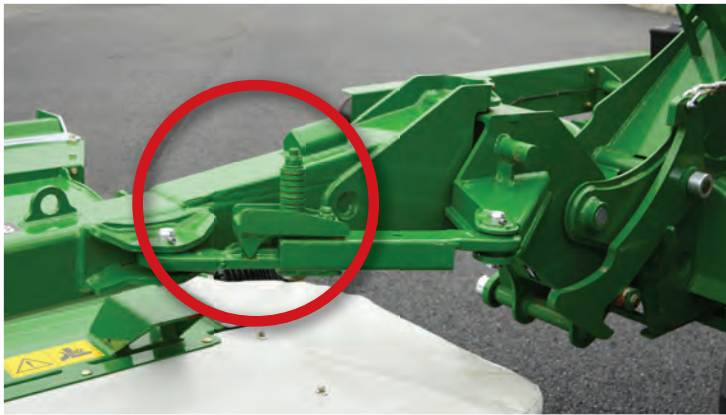
PRO GLIDE B9000

To achieve the maximum performance and results from combination mowers, the cutter bar and mower suspension actively works to follow the ground contours delivering uncontaminated forage.

As a result McHale have developed a unique patented ground adaption technology which delivers 3 dimensional ground contour tracking for its Pro Glide range of combination mowers. This allows the mower an arc of movement from left to right and also allows the mower to move forward and back, adjusting to changes in the contours of the ground.



The Pro Glide range of rear mowers are fitted with patented ground adaption technology, which allows the bed to move back and up if the bed encounters small obstacles. This saves time and maximises throughput as it means the obstacle does not trigger the main break back protection. This results in higher mowing speeds being able to be achieved without the interruption of having to reset the break back.



The Pro Glide rear suspension springs react instantly to ground contours, which results in a high quality cut even when working at high ground speeds. This allows the mowers to easily mow on rough or undulating terrain and still deliver optimum results.

If a rear mower hits an immovable object, it is fitted with a mechanical break back, which will be triggered.

On the Pro Glide rear mowers, the cutter bar ground pressure can be set from the tractor cab. The working pressure is visually displayed on the clocks which are mounted on the headstock.

Once the desired pressure is selected the cutter bars working pressure can be isolated from the tractor hydraulics with mechanical taps.



For transportation, the McHale Pro Glide folds vertically to position itself behind the centre point of the tractor for safe transport.

This position allows the mowers to distribute their weight across the tractor for ease of transport on the road while also providing the driver with a clear rear view.

PRO GLIDE



McHale | CUTTER BAR FEATURES



1 Cutter Bar

Pro Glide mowers are fitted with an extremely strong fully welded cutter bar, equipped with 7 discs, which deliver a cutting width of over 3 metres.

The discs are driven by auxiliary gears and as the cutter bar is welded and filled with oil, the gear drive operates in a continually lubricated environment which ensures quiet operations and maximum life.



2 Cutter Bar Drive

The Pro Glide cutter bar is powered by a heavy duty right angle gearbox that is positioned behind the inner mowing disc.

The positioning of the gearbox allows the operator to mow into corners and over rough terrain without experiencing problems.



3 Low Profile Front Edge

The Pro Glide cutter bar has been designed so the rounded low profile front edge lets the fully welded cutter bar glide smoothly over the ground.

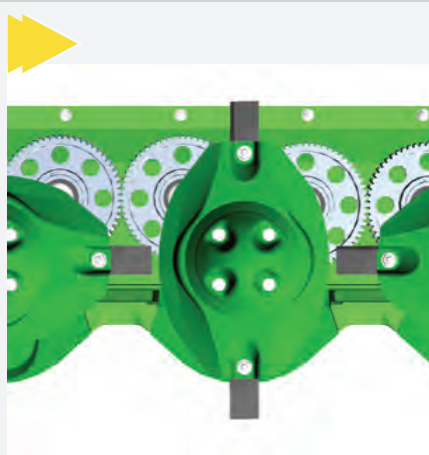
The slanted leading edge of the cutter bar allows for clean forage separation and reduces ground contamination.



4 Heavy Duty Design

In the cutter bar, large heavy duty drive gears transfer the power to auxiliary gears which power the individual discs.

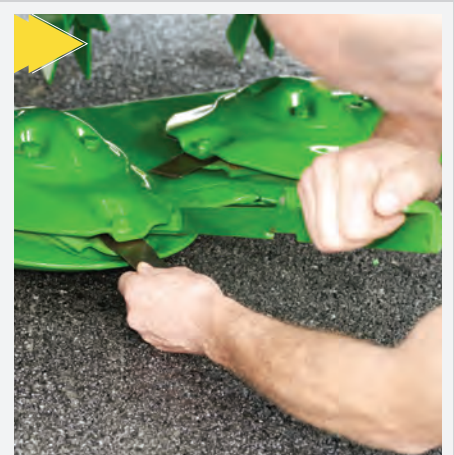
The auxiliary gears which drive the individual discs are mounted in a forward position on the cutter bar which deliver maximum cutting performance even when working in lodged crops.



5 Discs

The mowing discs are specifically designed to maximise crop flow. The blades are free to spin 360° which makes them self-cleaning. The blades orbit with a generous overlap, which ensures a clean cut.

Each mowing disc has its own individual protective safety mechanism, if a collision occurs, the mechanism will shear in order to protect the drive.



6 Blade Overlap

The 110 mm mower blades rotate and overlap very close to the surface of the cutter bar and the counter blade to deliver a clean cut.

With the aid of the specially designed lever, the blades on the McHale Pro Glide mower can be changed quickly and easily.

A weatherproof toolbox is mounted on the mower for storing spare blades and a number of tools.



McHale | CONDITIONER FEATURES



1 Steel Tine Conditioner

The McHale Pro Glide comes standard with a steel tine conditioner to condition the grass as efficiently as possible.

In order to increase wilting time and decrease the exposure of the forage to the weather, the McHale Pro Glide prepares a uniform swath by conditioning across the working width of the mower.



2 Conditioner Drive

The conditioner is driven by a mechanical gearbox. Conditioning speeds can be adjusted between 700 and 1000 rpm with the simple pull of a lever.

The position of the steel tines allow for powerful conditioning, which ensures the McHale Pro Glide range can deliver fast uniform wilting. Should a tine come into contact with a foreign object they pivot out of the way.



3 Swath Width

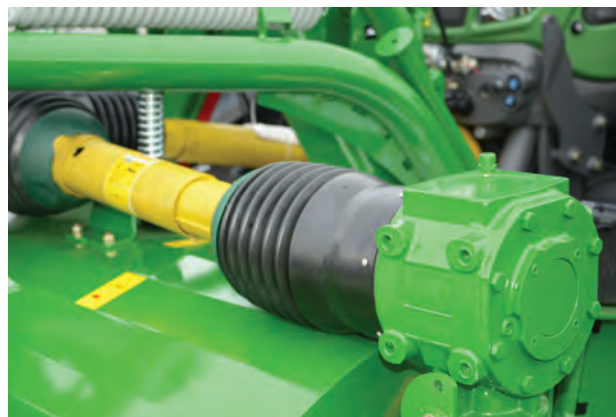
The operator can select from six adjustments for adjusting conditioning intensity.

The operator also has the option to set the deflection plates and leaves the swath in a wide or narrow formation.

Drive Line – 1000 rpm

The McHale Pro Glide mower range is fitted with a heavy duty 1,000 rpm drive line. Power is transmitted through heavy duty star tubing and the shaft is protected by the Walterscheid P Line range of drive shafts.

These drive shaft covers allow for very easy and simple access to all greasing points without the need for any untidy anti-rotation chains on the shaft guards. The use of these guards results in improved operator safety by delivering guards with a longer service life.



PROGLIDE

MOWER
RANGE





Dimensions & Weight	F3100 Front Mower	R3100 Rear Mower	B9000 Mower Combination
Transport Width	2.94 m (116")	2.2 m (87")	2.9 m (115")
Transport Length	1.98 m (76")	2.2 m (87")	2.2 m (87")
Transport Height	1.45 m (57")	3.9 m (153")	4.2 m (166")
Weight	1,250 Kg (2,756 lbs)	1,470 Kg (3241 lbs)	2,480 Kg (5467 lbs)
Mower Specifications			
Cutting Width	3.0 m (118")	3.0 m (118")	8.56 m (337") including Front Mower
Swath Width	1.3 m – 2.3m (51"-91")	1.3 m – 2.3m (51"-91")	1.3 m – 2.3m (51"-91")
Number of Cutting Discs	7	7	14 (7 x 2)
Total Number of Blades	14 (2 Blades per Disc)	14 (2 Blades per Disc)	28 (2 Blades per Disc)
Cutting Height	25 mm – 75 mm	25 mm – 75 mm	25 mm – 75 mm
Cutting Disc Speed	3,200 rpm	3,200 rpm	3,200 rpm
Cutting Blade	Quick Change	Quick Change	Quick Change
Conditioner			
Conditioner Type	Steel Tine Conditioner	Steel Tine Conditioner	Steel Tine Conditioner
Conditioner Speed	700 / 1000 rpm	700 / 1000 rpm	700 / 1000 rpm
Tractor Attachment			
Minimum Power Requirement	59 kW / 80 HP	59 kW / 80 HP	186 kW / 250 HP (including Front Mower)
Linkage Attachment	A-Frame	CAT II or CAT III (Rear) 3-Point linkage	A-Frame (front), CAT II or CAT III (Rear) 3-Point linkage
PTO Speed	1,000 rpm	1,000 rpm	1,000 rpm
Lighting	LED Lighting: 12 V / 7- pin socket	LED Lighting: 12 V / 7- pin socket	LED Lighting: 12 V / 7- pin socket
Hydraulic Systems	Single Acting Hydraulic Supply with Float	Double Acting Hydraulic Supply with Float (Minimum) & Single Acting Hydraulic Supply (Optional)	2 Double Acting Hydraulic Supply with Float (Minimum) & Single Acting Hydraulic Supply (Optional)
Minimum Pressure	160 bar (2,320 psi)	160 bar (2,320psi)	160 bar (2,320psi)
Minimum Hydraulic Flow Rate	20 l/min (4.54 gal.min) @ 160 bar (2,320 psi)	20 l/min (4.54 gal/min) @ 160 bar (2,320 psi)	20 l/min (4.54 gal/min) @ 160 bar (2,320 psi)
Capacity	3.5 ha/h (8.5 acres/hour)	3.5 ha/h (8.5 acres/hour)	10 ha/h (25 acres/hour)





McHale

PROGLIDE

MOWER RANGE

McHale has evolved from a farm machinery retail outlet, which is still in existence today. This background has provided an excellent foundation for the design and manufacture of farm machinery, due to direct contact with the end user. Manufacturing takes place in a purpose built facility, which utilises the latest in laser and robotics manufacturing technology and operates to ISO 9001/2008 accreditation.

All research and development is conducted in-house using leading edge technologies. Machines go through rigorous testing during the product development process and machine performance is constantly monitored. As a result, this ensures that product of the highest quality, specification and design are delivered to you. Which explains why a McHale product is truly "an investment in the future".



991B



998



V660



F5000



Fusion 3

McHale

Ballinrobe,
Co. Mayo, Ireland

T. 353 (0) 94 95 20300

F. 353 (0) 94 95 20356

E. sales@mchale.net

SUPPLIED BY:

www.mchale.net

DISCLAIMER

This literature is designed for worldwide circulation. Due to a continuing policy of product improvement, we reserve the right to alter specifications and constructions without notice. As machines are exported to many different countries, general information, pictures and descriptions are provided; these should be taken as approximate and may include optional equipment that is not part of the standard specification. Please consult your local dealer or distributor for further information.